



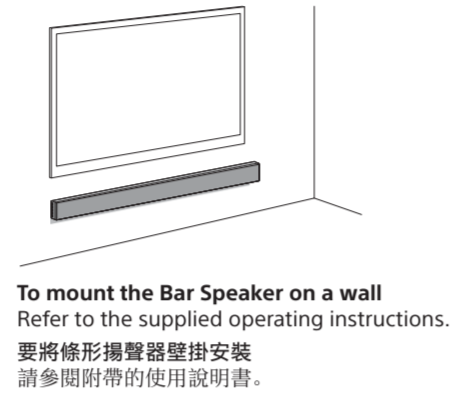
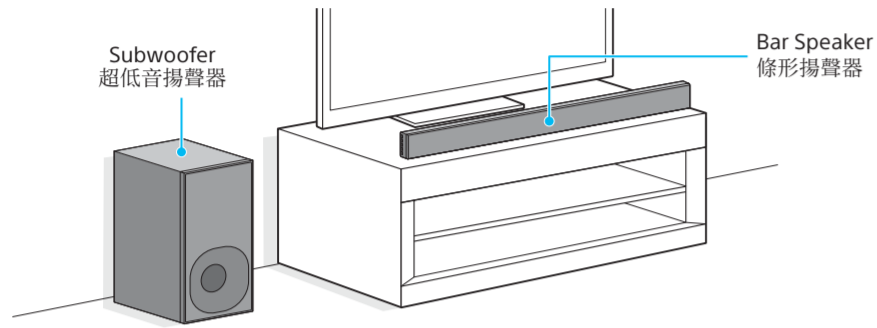
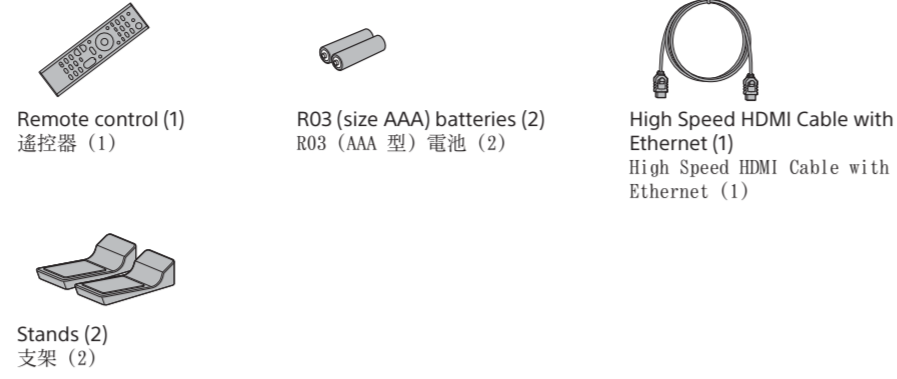
Sound Bar

Startup Guide 入門指南

HT-NT3

GB
CT

Supplied accessories 附件



1 Connecting with a TV 連接電視機

Is the HDMI input jack on your TV labeled "ARC" ?
在您的電視機上的 HDMI 輸入插孔是否標註著 "ARC" ?

NO/是

High Speed HDMI Cable with Ethernet* (supplied)
High Speed HDMI Cable with Ethernet* (附帶)

Optical digital cable (not supplied)
光纖數位線 (無附帶)

* Make sure that the HDMI cable is firmly inserted.
確保 HDMI 連接線已牢固地插入。

YES/否

High Speed HDMI Cable with Ethernet* (supplied)
High Speed HDMI Cable with Ethernet* (附帶)

* Make sure that the HDMI cable is firmly inserted.
確保 HDMI 連接線已牢固地插入。

2 Connecting with other devices 連接其它裝置

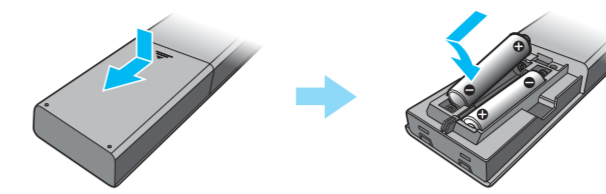
High Speed HDMI Cable with Ethernet* (not supplied)
High Speed HDMI Cable with Ethernet* (無附帶)

Blu-ray Disc™ player, cable box or satellite box, etc.
Blu-ray Disc™ 播放機、分線盒或衛星盒等等

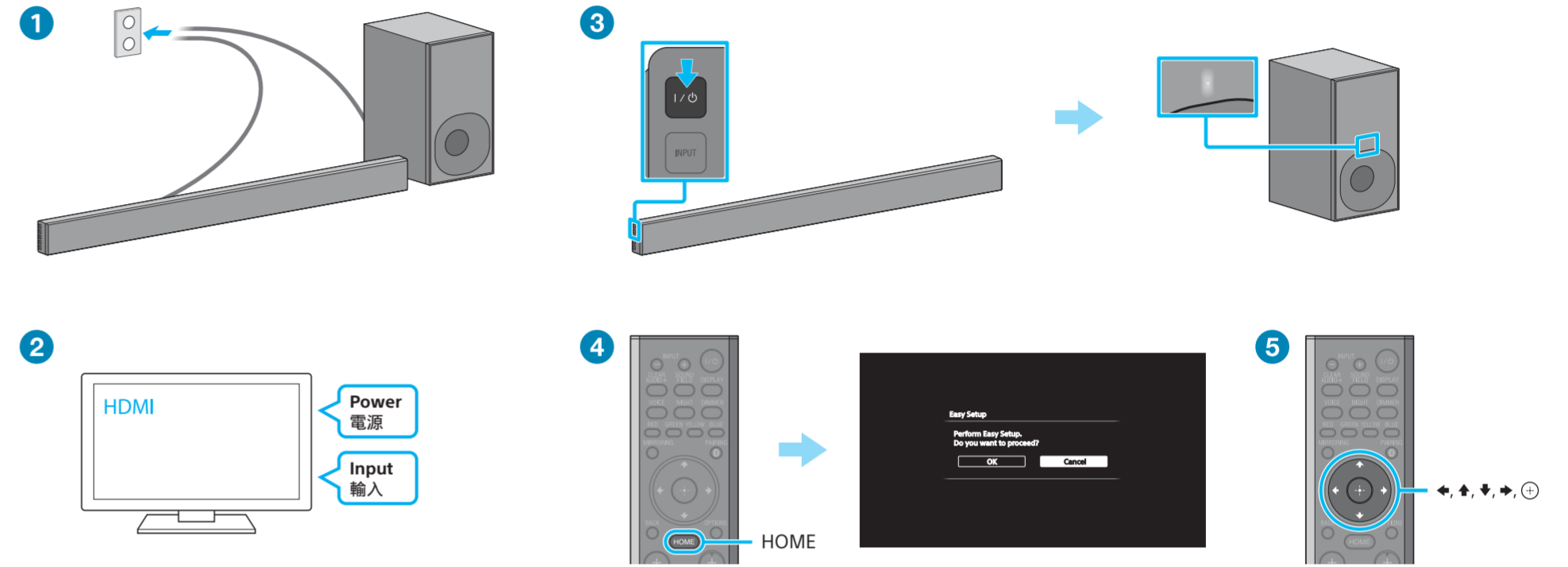
* Make sure that the HDMI cable is firmly inserted.
確保 HDMI 連接線已牢固地插入。

Tip To enjoy copyright-protected 4K content, connect the HDCP 2.2-compatible HDMI jack. For details, refer to "Viewing Copyright-protected 4K Content" in the supplied operating instructions.
提示 要欣賞帶版權保護的 4K 內容，請用與 HDCP 2.2 相容的 HDMI 插孔。詳情請參閱附帶使用說明書中的 "觀賞受版權保護的 4K 內容"。

3 Setting up the remote control 設定遙控器



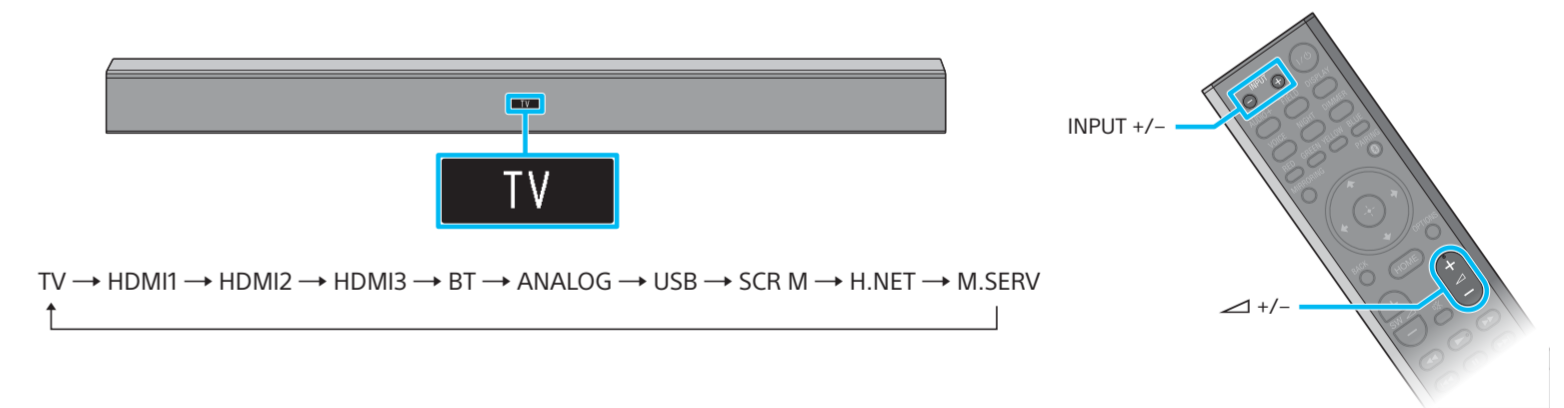
4 Turning on the system 開啓系統



- 1 Connect the AC power cords (mains leads).
- 2 Turn on the TV and then change the input of the TV to the input to which the Bar Speaker is connected.
- 3 Press I/⏻ (on/standby). The front panel display lights up. When the on/standby indicator of the subwoofer turns green, wireless connection of Bar Speaker and subwoofer is completed. If it does not turn on, the wireless transmission is not activated. Refer to "No sound is heard from the subwoofer." of "Troubleshooting" in the supplied operating instructions.
- 4 Press HOME after "PLEASE WAIT" disappears from the front panel display.
- 5 Press ◀▶ to select [OK], then press ⏻ to start [Easy Setup]. Follow the on-screen instructions to make the basic settings using ◀▶/▶▶ and ⏻.

- 1 連接交流電源線。
- 2 打開電視機，然後將電視機的輸入變更為條形揚聲器所連接的輸入。
- 3 按 I/⏻ (開/待機)。前顯示面板亮起。待超低音揚聲器上的開/待機指示器轉綠，則代表條形揚聲器及超低音揚聲器的無線連接已完成。若不亮，則說明無線傳送未啟動。請參閱附帶使用說明書中 "故障排除" 的 "沒有從超低音揚聲器聽到聲音"。
- 4 待前顯示面板上的 "PLEASE WAIT" 消失，按 HOME。
- 5 按 ◀▶ 以選擇 [OK]，然後按 ⏻ 以開始 [Easy Setup]。遵從在屏指示，使用 ◀▶/▶▶ 和 ⏻ 進行基本設定。

5 Enjoying video/sound from the connected devices 享受連接裝置的視頻/聲音



Press INPUT +/- repeatedly until the device you want appears in the front panel display. Then, press ◀ +/- repeatedly to adjust the volume. To listen to TV audio, select the program you want using the TV remote control.

重複按 INPUT +/- 直至您要的裝置出現在前顯示面板。然後，重複按 ◀ +/- 以調節音量。要收聽電視音訊，請使用電視機遙控器來選擇您想要的節目。

Setup completed! Enjoy!
設定完成! 盡情享受吧!

Please refer to the supplied operating instructions for details on the network connection, NFC function, and other functions.
有關網絡連接、NFC功能以及其它功能的詳情，請參閱附帶的使用說明書。



SongPal
A dedicated App for this model is available on both Google Play™ and App Store.
Search for "SongPal" and download the free App to find out more about the convenient features.

可從 Google Play™ 和 App Store 獲取此型號的專用應用程式。
搜索 "SongPal" 並下載此免費的應用程式以獲取更多有關方便的功能。