

# Micro HI-FI Component System

GB Operating Instructions



CMT-V50iP

http://www.sony.net/



Servicing is required when the apparatus has been damaged in any way, such as power-supply cord or plug is damaged, liquid has been spilled or objects have fallen into the apparatus, the apparatus has been exposed to rain or moisture, does not operate normally, or has been dropped.

**The following FCC statement applies only to the version of this model manufactured for sale in the U.S.A. Other versions may not comply with FCC technical regulations.**

**NOTE:**

This equipment has been tested and found to comply with the limits for a Class B digital device, pursuant to Part 15 of the FCC Rules. These limits are designed to provide reasonable protection against harmful interference in a residential installation. This equipment generates, uses and can radiate radio frequency energy and, if not installed and used in accordance with the instructions, may cause harmful interference to radio communications. However, there is no guarantee that interference will not occur in a particular installation. If this equipment does cause harmful interference to radio or television reception, which can be determined by turning the equipment off and on, the user is encouraged to try to correct the interference by one or more of the following measures:

- Reorient or relocate the receiving antenna.
- Increase the separation between the equipment and receiver.
- Connect the equipment into an outlet on a circuit different from that to which the receiver is connected.
- Consult the dealer or an experienced radio/TV technician for help.

**CAUTION**

You are cautioned that any changes or modifications not expressly approved in this manual could void your authority to operate this equipment.

**For customers in Europe and Australia**



**Disposal of Old Electrical & Electronic Equipment (Applicable in the European Union and other European countries with separate collection systems)**

**Note on DualDiscs**

A DualDisc is a two sided disc product which mates DVD recorded material on one side with digital audio material on the other side. However, since the audio material side does not conform to the Compact Disc (CD) standard, playback on this product is not guaranteed.

**Music discs encoded with copyright protection technologies**

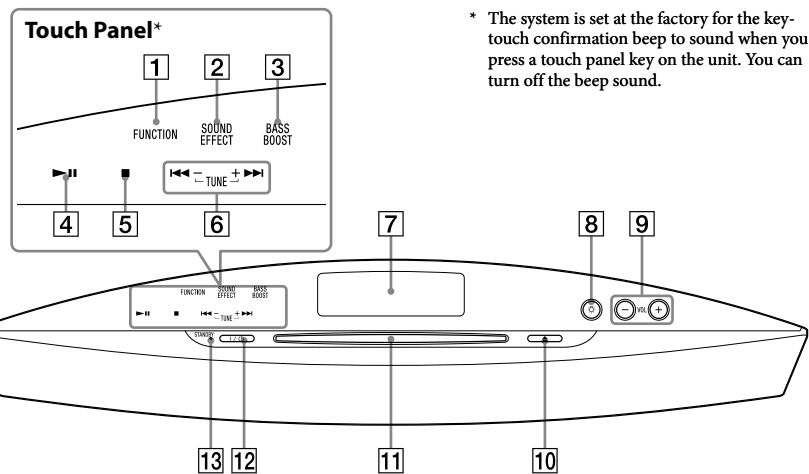
This product is designed to playback discs that conform to the Compact Disc (CD) standard. Recently, various music discs encoded with copyright protection technologies are marketed by some record companies. Please be aware that among those discs, there are some that do not conform to the CD standard and may not be playable by this product.

**License and Trademark Notice**

- iPhone®, iPod®, iPod classic®, iPod nano®, and iPod touch® are trademarks of Apple Inc., registered in the U.S. and other countries. iPad® is a trademark of Apple Inc.
- MPEG Layer-3 audio coding technology and patents licensed from Fraunhofer IIS and Thomson.
- Windows Media is either a registered trademark or trademark of Microsoft Corporation in the United States and/or other countries.
- This product is protected by certain intellectual property rights of Microsoft Corporation. Use or distribution of such technology outside of this product is prohibited without a license from Microsoft or an authorized Microsoft subsidiary.
- All other trademarks and registered trademarks are of their respective holders. In this manual, ™ and ® marks are not specified.

## Location of Controls

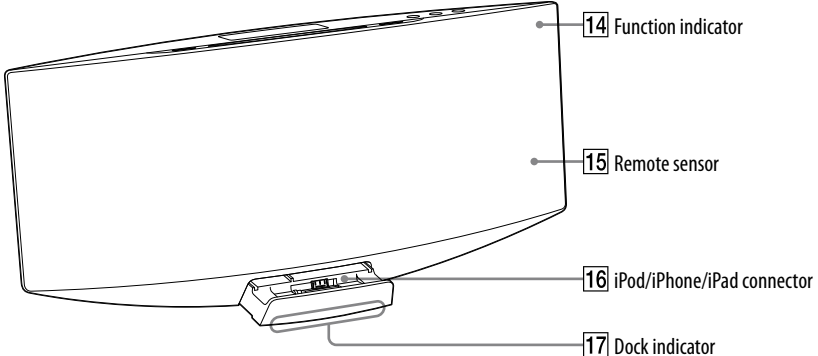
**Unit (Top)**



\* The system is set at the factory for the key-touch confirmation beep to sound when you press a touch panel key on the unit. You can turn off the beep sound.

- 7 Display
- 11 Disc slot

**Unit (Front)**



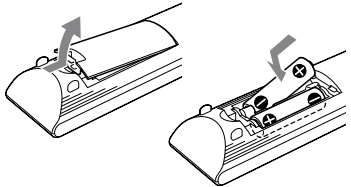
**About the function indicator [14]**

The function indicator lights in different colors according to the function. You can tell the current function by the color of the indicator. The indicator color of each function is same color as that of the corresponding FUNCTION button on the remote.

Function	Button on the remote	Indicator color
FM	FM	Pink
AM	AM	Sky blue
AUDIO IN	AUDIO IN	Amber
CD	CD	Yellow
iPod	iPod	White

**To use the remote**

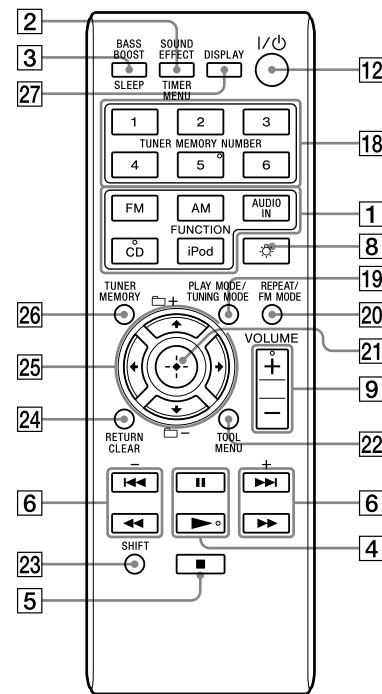
Slide and remove the battery compartment lid, and insert the two supplied R6 (size AA) batteries. ● side first, matching the polarities shown below.



**Notes on using the remote**

- With normal use, the batteries should last for about 6 months.
- Do not mix an old battery with a new one or mix different types of batteries.
- If you do not use the remote for a long period of time, remove the batteries to avoid damage from battery leakage and corrosion.

**Remote**

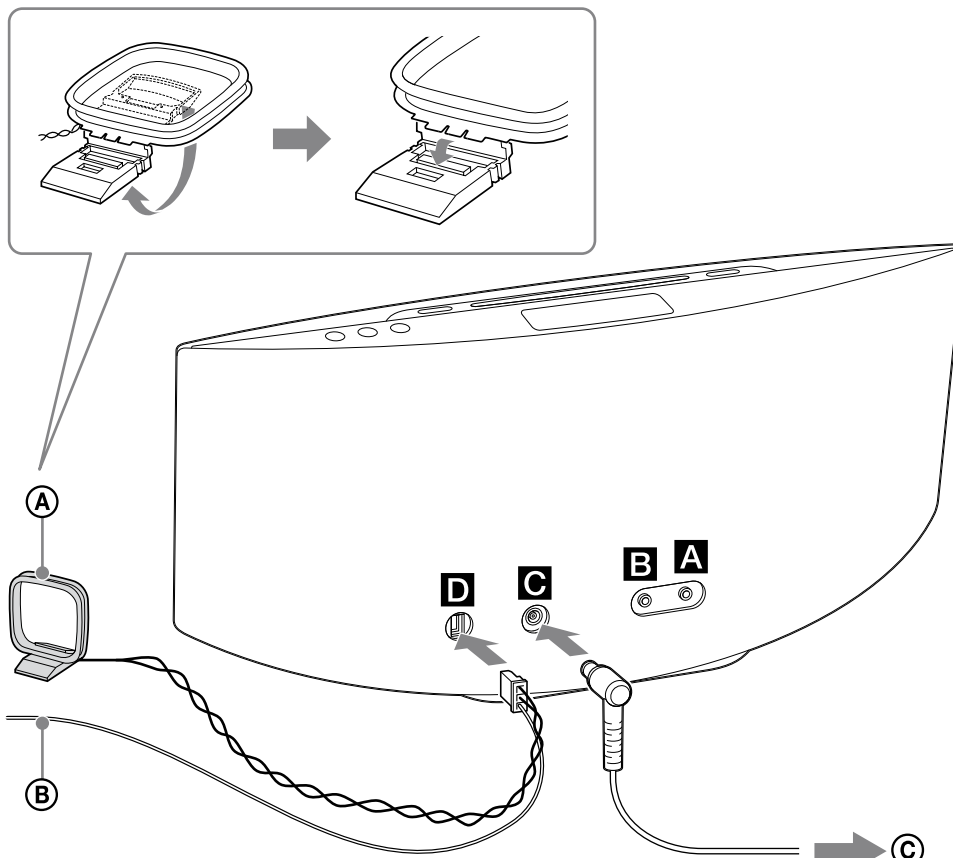


**[8] (Illumination) button**

Turn ON/OFF the dock indicator [17].

- This manual mainly explains operations using the remote, but the same operations can also be performed using the buttons on the unit having the same or similar names.
- The function indicated by pink on the remote can be activated using SHIFT [23]. If you want to operate the function indicated by pink, press and hold SHIFT [23] and press the button of the function indicated by pink. If you press the button without holding the SHIFT [23] pressed the system activates the function indicated by white.

## Getting Started



**A (phones) jack**

Connect the headphones.

**B AUDIO IN jack**

Connect an optional audio component.

**C Power (DCIN 19.5 V)**

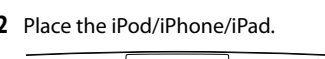
- 1 Connect the power cord to the AC adapter.
- 2 Connect the AC adapter to the unit, and then plug the power cord in to a wall outlet.

**D Antennas**

Find a location and an orientation that provide good reception, and then set up the antennas. Keep the antennas away from the power cord to avoid picking up noise.

**To use the iPod/iPhone/iPad**

- 1 Open the dock by pushing the center of the dock.



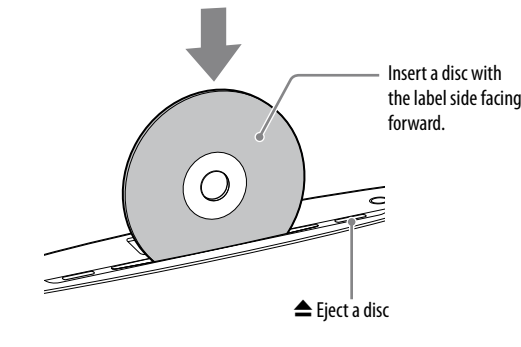
**Note**

Be careful not to drop the unit when disconnecting an iPod/iPhone/iPad from the iPod/iPhone/iPad connector.

## Operations

**Playing a CD/MP3 disc**

- 1 Select the CD function. Press CD FUNCTION [1] on the remote or press FUNCTION [1] on the unit repeatedly. The function indicator lights in yellow.
- 2 Insert a disc. Insert a disc in the disc slot with the label side facing forward.



Playback starts automatically after "READING" disappears.

When you changing from another function to the CD function while a disc is already inserted in the disc slot, press [4] on the remote or press [4] on the unit to start playback.

**Notes**

- When you turn on the system, the disc will not be pulled into the disc slot until "NO DISC" appears in the display. Do not attempt to push in the disc until "NO DISC" appears.
- If you cannot insert the disc into the disc slot even when "NO DISC" appears in the display, there may already be a disc in the slot. Press and hold down [10] to eject such a disc forcibly. If even the system does not then eject the disc, contact your nearest Sony dealer.
- If you cannot eject the disc and "LOCKED" appears in the display, contact your nearest Sony dealer.
- Do not insert a disc with non-standard shapes (e.g., heart, square, star). The disc may fall into the system and cause irreparable damage.
- When pressing [10] on the unit and then reinserting the disc that appears in the disc slot, do not simply push in the disc. Remove the disc from the disc slot and then reinsert it.
- Do not turn off the system with a disc halfway inserted in the disc slot. Doing so may cause the disc to fall.
- Do not use a disc with tape, seals or paste on it as this may cause malfunction.
- When you eject a disc, handle the disc by its edge. Do not touch the surface.
- Do not insert an 8 cm disc with an adapter. Doing so may cause the system to malfunction.

**Other operations**

To	Press
Pause playback	[4] (or [4]) on the unit. To resume play, press the button again.
Stop playback	[5].
Select a folder on an MP3 disc	[+/-] [26].
Select a track or file	[<<] [6] [6].
Find a point in a track or file	Hold down [<<] [6] (or [<<] [6] on the unit) during playback, and release the button at the desired point.
Select Repeat Play	REPEAT [20] repeatedly until "[G]" or "[G]1" appears.
Eject a disc	[10] on the unit.

**To change the play mode**

Press PLAY MODE [19] repeatedly while the player is stopped. You can select Normal Play mode ("FLDR" for all MP3 files in the folder on the disc), Shuffle Play mode ("SHUF" or "FLDR SHUF" for folder shuffle), or Program Play mode ("PGM").  
\* When playing a CD-DA (audio) disc, FLDR or FLDR SHUF Play performs the same operation as Normal or SHUF Play.

**Notes on Repeat Play**

- "[G]" indicates that all tracks or files will be repeated until you stop playback.
- "[G]1" indicates that a single track or file will be repeated until you stop playback.

**Notes on Shuffle Play mode**

- When Shuffle Play mode is set to "SHUF" the system shuffle-plays all tracks or files on the disc. When Shuffle Play mode is set to "FLDR SHUF" the system shuffle-plays all tracks or files in selected folder.
- When you turn off the system, the selected Shuffle Play mode ("SHUF" or "FLDR SHUF") is cleared and the play mode returns to Normal or FLDR Play mode.

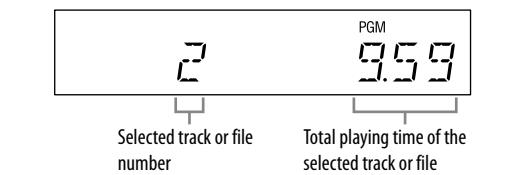
**Notes on playing MP3 discs**

- Do not save other types of tracks or files, or unnecessary folders on a disc that has MP3 files.
- Folders that have no MP3 files are skipped.
- The system can only play MP3 files that have a file extension of ".mp3".
- Even when file name has the ".mp3" file extension, if the actual file differs, playing this file may generate a loud noise which could damage the system may malfunction.
- The maximum number of:
  - 999\* folders (including the root folder)
  - 999 MP3 files
  - 250 MP3 files in a single folder
  - 8 folder levels (in the tree structure of files)
- Compatibility with all MP3 encoding/writing software, recording device, and recording media cannot be guaranteed. Incompatible MP3 discs may produce noise or interrupted audio or may not play at all.

\* This include folders that have no MP3 or other files. The number of folders that the system can recognize may be less than actual number of folders, depending on the folder structure.

## Creating your own program (Program Play)

- 1 Select the CD function. Press CD FUNCTION [1] on the remote or press FUNCTION [1] on the unit repeatedly. The function indicator lights in yellow.
- 2 Select the play mode. Press PLAY MODE [19] repeatedly until "PGM" appears while the player is stopped.
- 3 Select a folder (MP3 disc only). Press [+/-] [26] repeatedly to select the desired folder. If you want to program all files in the folder, press [21].
- 4 Select the desired track or file number. Press [<<] [6] [6] repeatedly until the desired track or file number appears.



Playback starts automatically after "READING" disappears.

When you changing from another function to the CD function while a disc is already inserted in the disc slot, press [4] on the remote or press [4] on the unit to start playback.

- 5 Program the selected track or file. Press [21] to enter the selected track or file. "..." appears when the total playing time exceeds 100 minutes for an CD or when you program an MP3 files.
- 6 Repeat steps 3 through 5 to program additional tracks or files, up to a total of 25 tracks or files.
- 7 To play your program of tracks or files, press [4] (or [4] on the unit). The program remains available until you remove the disc from the disc slot [11] or unplug the power cord. To play the same program again, press [4] (or [4] on the unit).

**To cancel Program Play**

Press PLAY MODE [19] repeatedly until "PGM" disappears while the player is stopped.

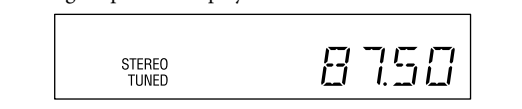
**To delete the last track or file of the program**  
Press and hold SHIFT [23] and CLEAR [24] while the player is stopped.

## Listening to the radio

- 1 Select the TUNER function. Press FM or AM FUNCTION [1] on the remote or press FUNCTION [1] on the unit repeatedly. The function indicator lights in pink (FM) or sky blue (AM).
- 2 Perform tuning.

**For automatic scanning**

Press TUNING MODE [19] repeatedly until "AUTO" appears, and then press [+/-] [6]. Scanning stops automatically when a station is tuned in, and "TUNED" and "STEREO" (for stereo programs only) light up in the display.



If "TUNED" does not light up and the scanning does not stop, press [5] to stop scanning, then perform manual tuning (below).

When you tune in a station that provides RDS services, information such as the service name or station name is provided by broadcasts.

**For manual tuning**

Press TUNING MODE [19] repeatedly until "MANUAL" appears, and then press [+/-] [6] repeatedly to tune in the desired station.

**Tip**  
To reduce static noise on a weak FM stereo station, press FM MODE [20] repeatedly until "MONO" appears to turn off stereo reception.

## To change the AM tuning interval

The default setting for AM tuning interval is 9 kHz (or 10 kHz for some areas). Use the buttons on the unit to perform this operation.

- 1 Press AM FUNCTION [1] on the remote or press FUNCTION [1] on the unit repeatedly to select the AM station.
- 2 Press I/O [12] to turn off the system.
- 3 Press and hold VOL + [9] and press I/O [12] on the unit. "STEP 9K" or "STEP 10K" appears in the display. When you change the interval, all the AM preset stations are erased.

## Presetting radio stations

- 1 Tune in the desired station.
  - 2 Press TUNER MEMORY [28] to select the tuner memory mode.
  - 3 Press [+/-] [6] repeatedly to select the desired preset number.
- If another station is already assigned to the selected preset number, the station is replaced by the new station.





