

Mini Hi-Fi Component System

Operating Instructions



MHC-771

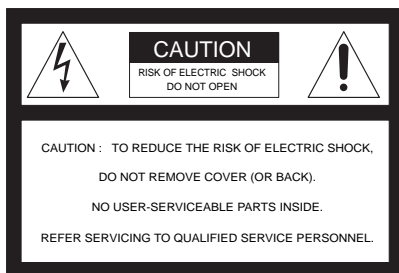
WARNING

To prevent fire or shock hazard, do not expose the unit to rain or moisture.

To avoid electrical shock, do not open the cabinet. Refer servicing to qualified personnel only.

Do not install the appliance in a confined space, such as a bookcase or built-in cabinet.

NOTICE FOR THE CUSTOMERS IN THE U. S. A.



This symbol is intended to alert the user to the presence of uninsulated “dangerous voltage” within the product’s enclosure that may be of sufficient magnitude to constitute a risk of electric shock to persons.



This symbol is intended to alert the user to the presence of important operating and maintenance (servicing) instructions in the literature accompanying the appliance.

Owner’s Record

The model and serial numbers are located on the rear panel. Record the serial number in the space provided below. Refer to them whenever you call upon your Sony dealer regarding this product. Model No. MHC-771 Serial No. _____

INFORMATION

This equipment has been tested and found to comply with the limits for a Class B digital device, pursuant to Part 15 of the FCC Rules. These limits are designed to provide reasonable protection against harmful interference in a residential installation. This equipment generates, uses, and can radiate radio frequency energy and, if not installed and used in accordance with the instructions, may cause harmful interference to radio communications. However, there is no guarantee that interference will not occur in a particular installation. If this equipment does cause harmful interference to radio or television reception, which can be determined by turning the equipment off and on, the user is encouraged to try to correct the interference by one or more of the following measures:

- Reorient or relocate the receiving antenna.
- Increase the separation between the equipment and receiver.
- Connect the equipment into an outlet on a circuit different from that to which the receiver is connected.
- Consult the dealer or an experienced radio/TV technician for help.

CAUTION

You are cautioned that any changes or modifications not expressly approved in this manual could void your authority to operate this equipment.

Note on CATV system installer:

This reminder is provided to call CATV system installer’s attention to Article 820–40 of the NEC that provides guidelines for proper grounding and, in particular, specifies that the cable ground shall be connected to the grounding system of the building, as close to the point of cable entry as practical.

CAUTION

The use of optical instruments with this product will increase eye hazard.

NOTICE FOR THE CUSTOMERS IN CANADA

CAUTION:

TO PREVENT ELECTRIC SHOCK, DO NOT USE THIS POLARIZED AC PLUG WITH AN EXTENSION CORD, RECEPTACLE OR OTHER OUTLET UNLESS THE BLADES CAN BE FULLY INSERTED TO PREVENT BLADE EXPOSURE.

Welcome!

Thank you for purchasing the Sony Mini Hi-Fi Component System. This series is packed with fun features. Here are just a few:

- DBFB (Dynamic Bass Feedback) system that boosts low frequency range audio provide deep, powerful bass sound
- A preset feature that lets you store and recall up to 30 of your favorite radio stations
- An amplifier that lets you adjust the audio quality to fit a variety of music types and environments
- A timer that lets you set the CD player, tape player or radio to turn on and off whenever you want
- A dual tape deck that lets you record from the radio, CD player or from the other tape deck and relay play from both decks
- A CD player that lets you play up to three CDs in a row and seamlessly advance (or reverse) through all the tracks on all the discs on the CD tray
- A music clip feature that lets you create groups of favorite tracks from your CDs
- A remote that lets you control your system from your seat
- A loop play feature that lets you play a CD with sound effect like sampler play
- The MHC-771 consists of following things:
 - Main unit: HCD-H771
 - Speaker system: SS-H771

Table of Contents

Chapter 1: Setting Up

- Connecting the Stereo 4
- Inserting the Batteries 6
- Setting the Clock 6

Chapter 2: the CD Player

- Playing CDs (normal play) 7
- Playing Tracks in Random Order (shuffle play) 8
- Playing Tracks in the Desired Order (program play) 9
- Playing Tracks Repeatedly (repeat play) 9
- Grouping Tracks (music clip) 10
- Playing Tracks: Repeating a Specified Portion (loop play) 10

Chapter 3: the Radio

- Listening to the Radio 12
- Presetting Radio Stations 13
- Playing Preset Radio Stations 13

Chapter 4: the Tape Player

- Playing a Tape 14
- Recording a CD 15
- Recording a CD: Selecting Tape Length Automatically (tape select edit) 15
- Recording a CD: Specifying Tape Length (time edit) 16
- Recording a CD: Specifying Track Order (program edit) 17
- Recording From the Radio 17
- Recording From Another Tape (dubbing) 18

Chapter 5: Sound Adjustment

- Adjusting the Sound 19
- Selecting the Audio Emphasis 19
- Adjusting the Audio Emphasis 20
- Making a Personal Audio Emphasis File (personal file) 21

Chapter 6: Additional Features

- Falling Asleep to Music 22
- Waking Up to Music 22
- Timer-Recording Radio Programs 23
- Microphone Mixing 24
- Karaoke: Singing Along 24
- Connecting Optional Equipment 25

For Your Information

- Precautions 27
- Troubleshooting Guide 27
- Maintenance 28
- Specifications 29
- Index to Parts and Controls 30

Index 31

Chapter 1: Setting Up

Connecting the Stereo

Inserting the Batteries

Setting the Clock

Connecting the Stereo

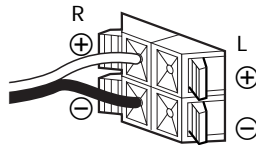
Use the illustrations below to connect your stereo.

If you want to connect any optional components to the stereo, see “Connecting Optional Equipment” in Chapter 6.

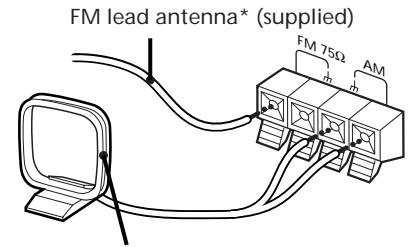
STEP 1 Connecting the Speakers

To connect the speakers

Connect the right speaker to the SPEAKER R connectors and the left speaker to the SPEAKER L connectors with the red cords to ⊕ and the black cords to ⊖.



STEP 2 Connecting the Antennas

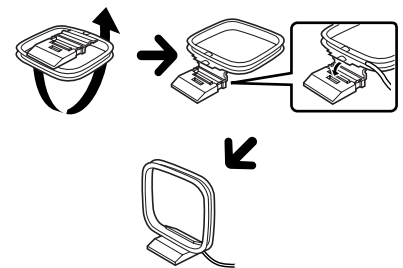


AM loop antenna (supplied)

* Note: Extend it horizontally

AM loop antenna connection

Connect the supplied loop antenna to the AM and the h terminals.

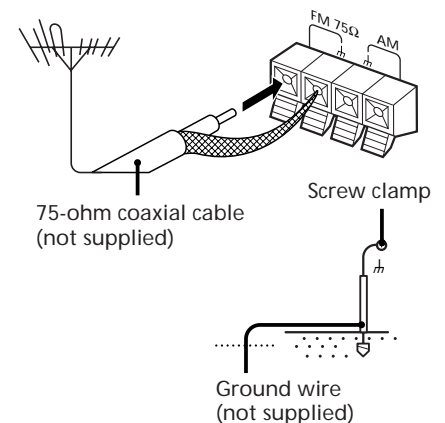


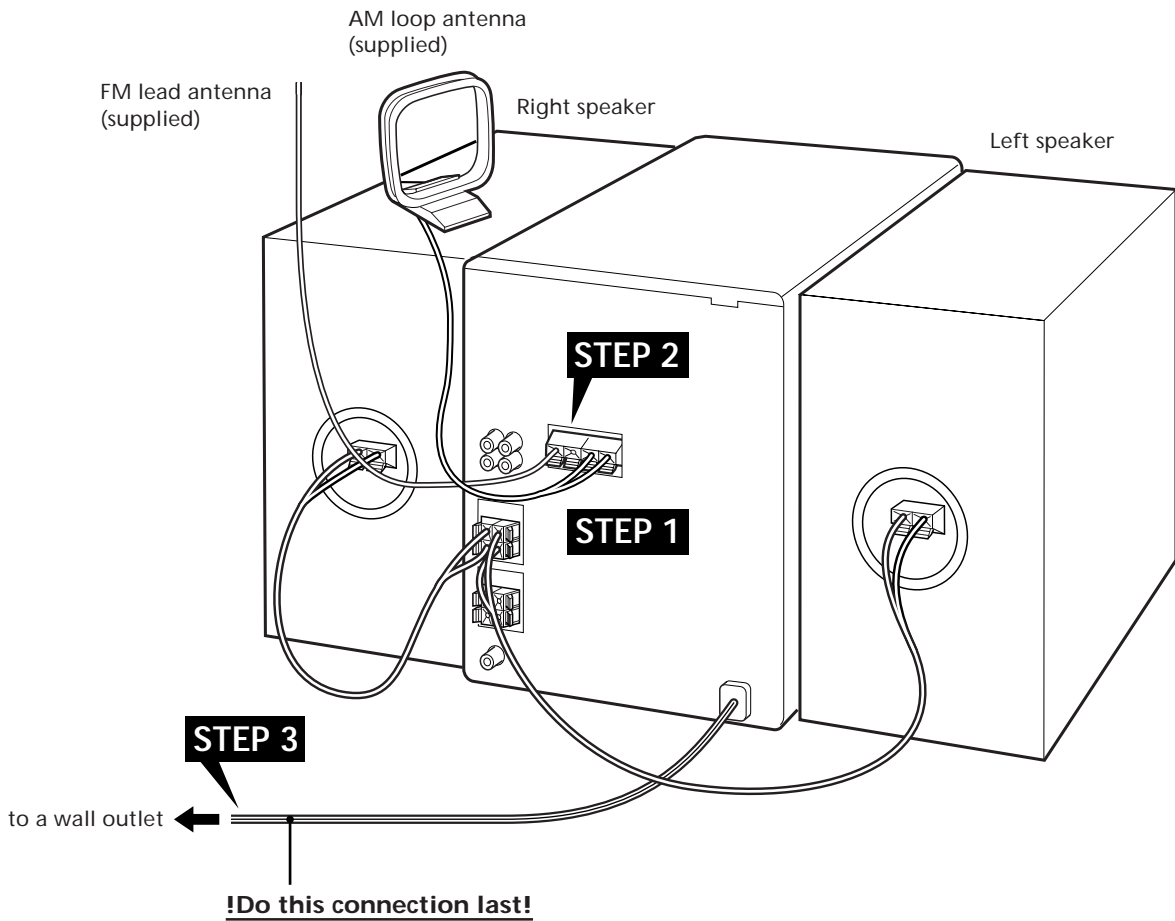
To improve the FM reception

Connect an external FM antenna to the FM 75Ω and h terminals, using a 75-ohm coaxial cable.

Important

Ground the external antenna from h terminal against lightning with the screw clamp. To prevent a gas explosion, do not connect the ground wire to a gas pipe.



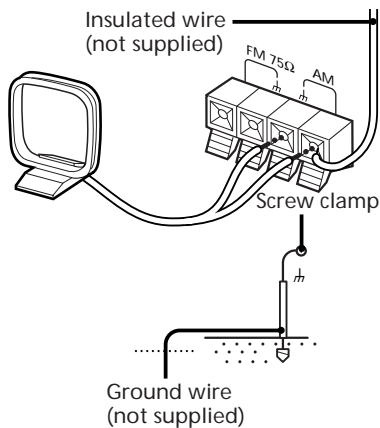


To improve the AM reception

After you connect the AM antenna, connect a 6- to 15-meter (20- to 50-feet) insulated wire to the AM terminal. Connect the other terminal to earth.

Important

Ground the external antenna against lightning from the other terminal. To prevent a gas explosion, do not connect the ground wire to a gas pipe.

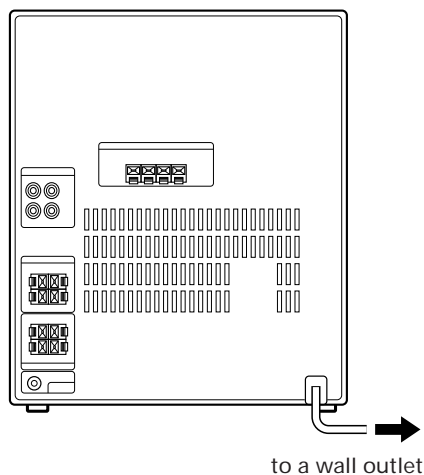


STEP 3 Connecting the Power

Connect the AC power cord to a wall outlet after you have made all the above connections.

Demo mode

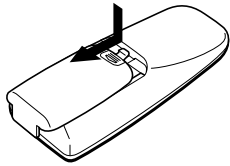
The demo mode appears in the display when you connect the AC power cord to a wall outlet. To deactivate the demo mode, press DISPLAY/DEMO with the system power turned off.



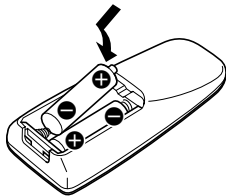
Inserting the Batteries

Install two R6 (size AA) batteries in the supplied remote for remote control.

- 1 Open the lid.



- 2 Insert two R6 (size AA) batteries. Match the + and - indications to the diagram in the battery compartment.



- 3 Close the lid.

Battery life

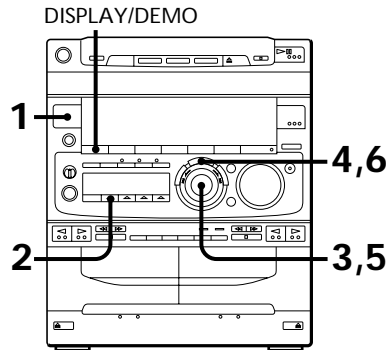
You can expect the remote to operate for about six months (using Sony SUM-3 (NS) batteries) before the batteries run down. When the batteries no longer operate the remote, replace all the batteries with new ones.

To avoid battery leakage

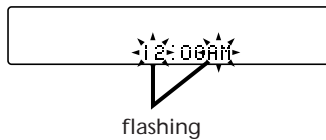
If you are not going to use the remote for a long time, remove the batteries to avoid damage caused by corrosion from battery leakage.

Setting the Clock

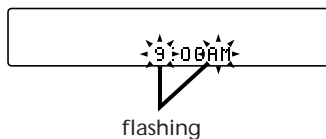
The built-in clock shows the time in the display even if the power is off. You need to set the clock to utilize the timer-activated features of your stereo system. Use the buttons on the unit to do this operation.



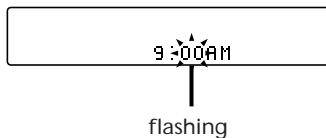
- 1 Press **TIMER**.
- 2 Press **CLOCK SET**. The "AM" and hour indication begin flashing.



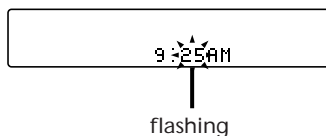
- 3 Set the current hour by turning the **JOG** dial until the correct hour appears.



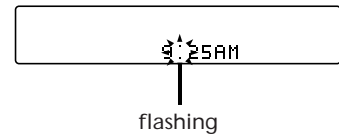
- 4 Press **ENTER/NEXT**. The minutes indication begins flashing.



- 5 Set the current minute by turning the **JOG** dial until the correct minute appears.



- 6 Press **ENTER/NEXT**. The clock starts running and the upper dot flashes. Use the time signal to set the clock accurately. The upper dot flashes for the first half of a minute (0 to 29 seconds), and the lower dot flashes for the last half of a minute (30 to 59 seconds).



To check the time
Press **DISPLAY/DEMO** a few times. The current time is displayed for eight seconds.

To correct the clock setting
Repeat steps 1 through 6.

Chapter 2: the CD Player

Playing CDs (normal play)

Playing Tracks in Random Order (shuffle play)

Playing Tracks in the Desired Order (program play)

Playing Tracks Repeatedly (repeat play)

Grouping Tracks (music clip)

Playing Tracks: Repeating a Specified Portion (loop play)

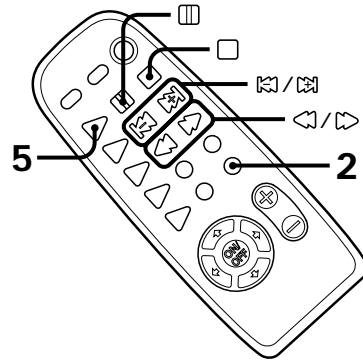
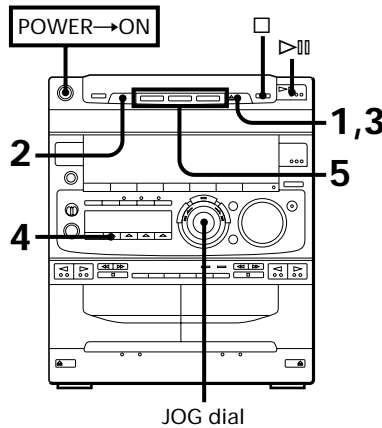
Playing CDs (normal play)

You can play all the tracks on up to three discs consecutively in their original order (normal play).

You can play 12 cm and 8 cm CDs. If the CD is supplied with an adaptor, remove it before playing the CD.

Before you play the CD, decrease the sound level by turning the VOLUME control counterclockwise, to prevent damage to the speakers.

Use the buttons both on the unit and the remote to do this operation.



- 1 Press \square OPEN/CLOSE and place up to two CDs (with the label side facing up) on the disc tray.



- 2 Press DISC SKIP EX-CHANGE to insert a third disc, if necessary. The disc tray rotates so that you can place another CD.

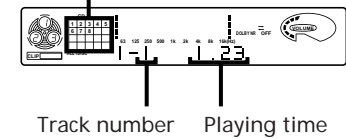
- 3 Press \square OPEN/CLOSE again to close the disc tray.

- 4 Press 1/ALL DISCS to choose "1 DISC" or "ALL DISCS".

Choose	To play
1 DISC	Only the CD you have selected.
ALL DISCS	All CDs consecutively in order of disc number. Empty disc trays are skipped.



- 5 Press one of the DISC 1 - 3 buttons to select the disc tray. Play starts from the CD loaded on the tray whose button is lit green. Music calendar



To	Press
Stop play	\square (\square *1)
Pause	$\triangleright\parallel$ (\parallel *1)
Resume play	$\triangleright\parallel$ (CD \triangleright *1 or \parallel *1)
Go forward to another track	During play or pause, rotate the JOG dial clockwise. Release when you reach the track you desire.*2 Or use AMS*3 \triangleright on the remote.
Go back to a previous track	During play or pause, rotate the JOG dial counterclockwise. Release when you reach the track you desire.*2 Or use AMS*3 \triangleleft on the remote.
Select a particular CD directly	Corresponding DISC 1 - 3 button*4 or press DISC SKIP EX-CHANGE repeatedly in stop mode
Remove the CD	\square OPEN/CLOSE
Exchange other CDs while playing	DISC SKIP EX-CHANGE

continue to next page →

→ continued

- *1 Remote
- *2 You can use the JOG dial to search quickly through tracks on different discs (seamless feature).
- *3 Automatic Music Sensor
- *4 If no disc is loaded at that number, the tray will emerge.

DISC SKIP EX-CHANGE functions differently depending on a different situation.

To select a particular CD, press DISC SKIP EX-CHANGE while you stop playing a CD. To remove or exchange CDs while playing or pause playing a CD, press DISC SKIP EX-CHANGE.

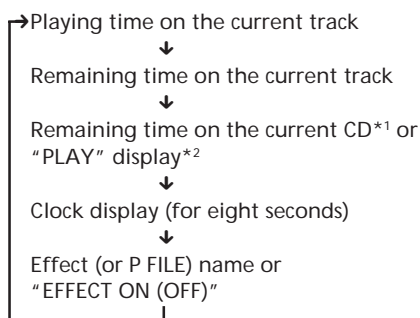
To find a point in a track

You can find a particular point in a track while the track is playing or while it's in pause mode. Use the buttons on the remote to operate this feature.

To	Press
Go forward quickly in a track	▶ on the remote and release it at the desired point.
Go backwards quickly in a track	◀ on the remote and release it at the desired point.
Search quickly without listening	⏏, then press ◀ or ▶ on the remote. Press CD ▶ or ⏏ again at the desired point.

To check the remaining time during playback

Press DISPLAY/DEMO repeatedly. Each time you press the button, the display changes as follows:



*1 1 DISC mode
*2 ALL DISCS mode

To check the total playing time and the total number of tracks

Press DISPLAY/DEMO in stop mode. When you press DISPLAY/DEMO again, the display shows the clock display for eight seconds and returns to the previous indication.

Notes

- You cannot check the total playing time during program play.
- The disc number, total playing time and number of tracks also appear in the display when you press OPEN/CLOSE to close the disc tray.
- “-:-” appears in the display when the total playing time is 100 minutes or more.

One Touch Play feature

Press ▶ on the CD player (or CD ▶ on the remote) when the power is off. When a CD is in the player, you will be able to start listening to the CD without pressing any other buttons.

The Music Calendar Display

This display lights according to the number of tracks on the CD. As each track is played, the corresponding number disappears. Tracks numbered in excess of 20 are not displayed.

What the green and orange DISC 1-3 button indicators indicate

Indicators are provided on the DISC buttons for each of the respective disc trays (DISC 1-3).

- A green indicator shows that the tray is selected (either during playback or standby, or when the tray is open) no matter if there is a CD inside or not.
- An orange indicator shows that there is a CD on the tray but the tray is not selected.
- When the indicator is off, there is no CD on the tray and the tray is not selected.

Automatic Source Selection

If the CD player has been in the normal play mode, you can select the CD player just by pressing ▶ or the DISC 1 - 3 buttons.

If the CD player has been in the program play or the shuffle play mode, only ▶ can be used for this function.

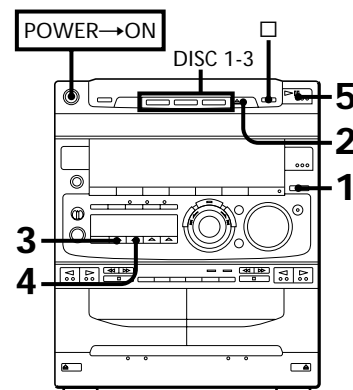
If there is no CD in the player

“CD NO DISC” appears in the display. Press ▶ (or CD ▶ on the remote) while the indication is on, then the disc tray will open automatically.

Playing Tracks in Random Order (shuffle play)

You can play all the tracks on one CD or all CDs in random order.

Use the buttons on the unit to do this operation.

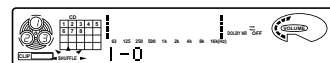


1 Press FUNCTION repeatedly until “CD” appears in the display.

2 Press OPEN/CLOSE and place the CDs on the disc tray. Then, press OPEN/CLOSE again to close the disc tray.

3 Press 1/ALL to choose “1 DISC” or “ALL DISCS”.

4 Press PLAY MODE repeatedly until “SHUFFLE” appears in the display.



5 Press ▶. “▶” appears and then all the tracks play in random order.

To stop shuffle play
Press □ on the CD player.

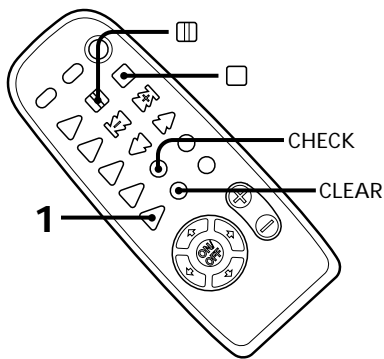
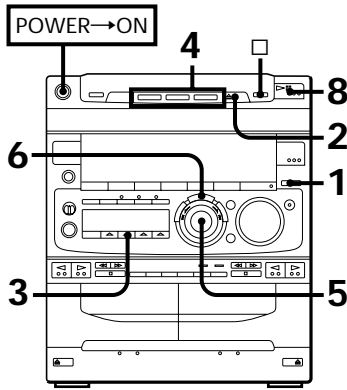
To cancel shuffle play
Press PLAY MODE repeatedly until “SHUFFLE” disappears from the display. The tracks continue playing in their original order.

To select a desired CD
Press DISC 1 - 3 during shuffle play.

To skip an undesired track
Turn the JOG dial clockwise (or press ⏏ on the remote).

Playing Tracks in the Desired Order (program play)

You can make a program of up to 32 tracks from all the CDs in the order you want them to be played.

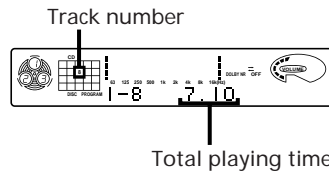


- 1 Press FUNCTION repeatedly until "CD" appears in the display.
- 2 Press \square OPEN/CLOSE and place the CDs on the disc tray. Then, press \square OPEN/CLOSE again to close the disc tray.
- 3 Press PLAY MODE repeatedly until "PROGRAM" and "DISC" appear in the display.



- 4 Press DISC 1 - 3 to choose a CD.

- 5 Turn the JOG dial to choose a track. The track number and the total playing time appear.



- 6 Press ENTER/NEXT. The chosen track number lights up in the music calendar. If the track number and the total playing time disappear before you press ENTER/NEXT, go back to step 5.
- 7 Repeat steps 5 and 6 to program additional tracks from the same CD. Repeat steps 4 to 6 to program additional tracks from another CD.
- 8 Press \triangleright . All the tracks play in the order you choose.

To	Press
Check the program	CHECK on the remote repeatedly*1
Program a pause	\square on the remote*2
Stop play	\square (\square on the remote)
Cancel program play	PLAY MODE*3 repeatedly until "PROGRAM" or "SHUFFLE" disappears
Erase a track from the end	CLEAR on the remote in stop mode
Erase a specific track	CHECK on the remote repeatedly so that the number of the track lights up, and press CLEAR on the remote
Erase the entire program	\square (\square on the remote) once in stop mode or twice while playing

- *1 After the last track appeared "CHECK END" appears in the display.
 *2 "P" appears and the total playing time is reset to 0.00.
 *3 The program is erased.

To change the order of programmed tracks

To change the order, erase the entire program and create a new one.

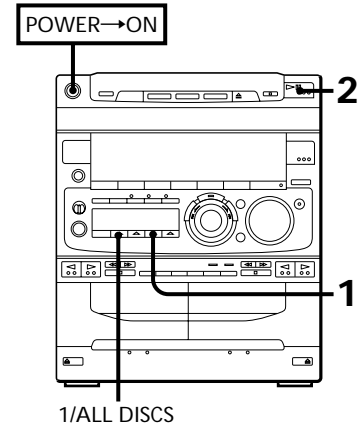
Notes

- The program you made remains in the CD player even after it has been played back. Press \triangleright to play the same program again.
- If "--" appears instead of the total playing time during programming, this means:
 - you have programmed a track number which exceeds 20, or
 - the total playing time has exceeded 100 minutes.

Playing Tracks Repeatedly (repeat play)

The repeat play function repeats a single CD or all CDs in normal play, shuffle play and program play.

Use the buttons on the unit to do this operation.



Repeating all the tracks

- 1 Press REPEAT a few times until "REPEAT" appears in the display.



- 2 Press \triangleright .

To	Press
Repeat all the tracks on the current CD	1/ALL DISCS repeatedly until "1 DISC" appears in the display.
Repeat all the tracks on all CDs	1/ALL DISCS repeatedly until "ALL DISCS" appears in the display.
Repeat only one track (in normal play only)	REPEAT repeatedly until "REPEAT 1" appears in the display while playing the track you want to repeat.

To cancel repeat play

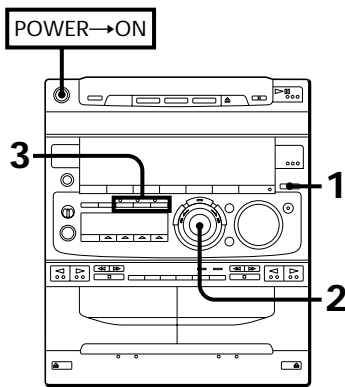
Press REPEAT so that "REPEAT" or "REPEAT 1" disappears from the display.

Grouping Tracks (music clip)

The music clip function is an easy way to produce up to three groups of tracks from your CDs. For example, you could store tracks for the morning in CLIP A, tracks to play for your friends in CLIP B, and tracks for relaxing in CLIP C.

Once you store one or more tracks in a music clip(s), the player recalls those tracks whenever you play the respective disc.

Storing Tracks in a Clip



- 1 Press FUNCTION repeatedly until "CD" appears in the display.
- 2 Play the track you want to store, or (in stop mode) use the JOG dial to select the track you want.
- 3 Press CLIP button (A, B or C). "CLIP FILE" appears and the selected CLIP indicator (A, B or C) appears in the display. Normal playback continues.



- 4 Repeat steps 2 and 3 to store other tracks into the same or a different clip.

If the memory becomes full

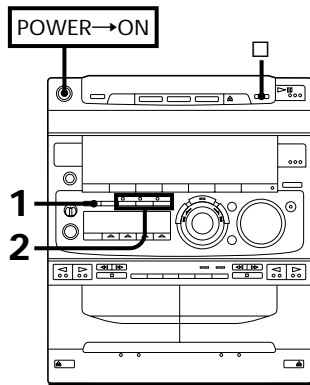
You can store tracks from up to ten different CDs (one or more tracks per CD) to each clip data. The clip data for the oldest clip is erased to make room for a new clip.

Note

- Only tracks numbered 1 - 20 can be stored in music clips so you cannot store tracks numbered 21 or more.
- In stop mode, you cannot store tracks if "SHUFFLE" or "PROGRAM" is displayed.

Playing tracks in a clip (CLIP PLAY)

CLIP indicator(s) light in the display to let you know when clips are stored for a disc.



- 1 Press CLIP PLAY.
- 2 Press CLIP button (A, B or C). "CLIP PLAY" appears in the display and the selected CLIP indicator lights. The player starts playing tracks from the selected clip.



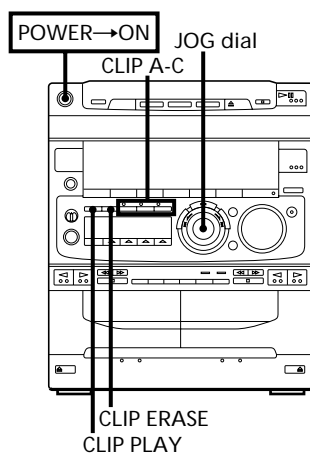
To cancel clip play

Press \square on the CD player.

Notes

- In 1 DISC mode, the tracks stored for the selected disc are played back once, then clip play is released.
- In ALL DISCS mode, all the tracks stored for the currently loaded discs are played back once, then clip play is released.
- You cannot start CLIP play if "PROGRAM" is displayed.

Erasing Tracks from a Clip



Erasing one track

- 1 Press CLIP PLAY.
- 2 Press CLIP button (A, B or C) for the clip containing the track you want to erase.
- 3 Use the JOG dial to select the track you want to erase.
- 4 Press CLIP ERASE. "ERASE A - C" and "TRACK" appear alternately in the display.
- 5 Press CLIP button (A, B or C) you pressed on step 2. "ERASE CLIP" appears in the display.

Erasing all the tracks in a CLIP A (B or C)

- 1 In stop mode, press CLIP ERASE. "ERASE A - C" and "ALL A-C" appear alternately in the display.
- 2 Press CLIP button (A, B or C) to specify the clip you want to erase. "PUSH A (B or C)" appears in the display.
- 3 Press CLIP button you pressed on step 2 again. "ERASE ALL" appears in the display and CLIP indicator disappears.

Playing Tracks: Repeating a Specified Portion (loop play)

You can use the loop function to record from a CD to a tape with the sampler play. Use the buttons both on the unit and remote to do this operation.

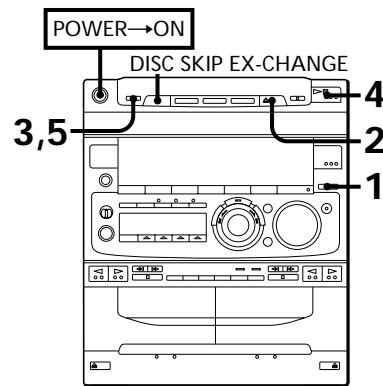
EXAMPLE

Original song:

"Hey, come on everybody!"

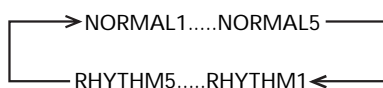
When you use the loop function:

"Hey, come come come come on everybody!"



- 1 Press FUNCTION repeatedly until "CD" appears in the display.
- 2 Press \triangleleft OPEN/CLOSE and place a CD. Then, press \triangleleft OPEN/CLOSE again to close the disc tray.
If the button for the disc tray containing the CD you want to record on is not lit green, press DISC SKIP EX-CHANGE repeatedly so that it lights green.

- 3 Press LOOP repeatedly to select NORMAL or RHYTHM (as for NORMAL and RHYTHM, see "What is the difference between NORMAL and RHYTHM?" for details).
NORMAL or RHYTHM has five modes respectively, depending on the interval you want. The display changes as follows:



The interval (about 0.25 to 1.00 second) is longer as the number is bigger.

- 4 Press \triangleright \square .
- 5 Press and hold down LOOP when a portion you want to repeat is played and release when until you want to stop repeating it.

What is the difference between NORMAL and RHYTHM?

There is a difference between NORMAL and RHYTHM in restarting point of normal play when the loop effect ends. Select NORMAL or RHYTHM while Stop playing or pause playing.

NORMAL:

Normal CD play resumes from the same point as you have started the loop play when you release LOOP button.

RHYTHM:

The portion over-ridden by the loop effect will be skipped and then normal play resumes.

Chapter 3: the Radio

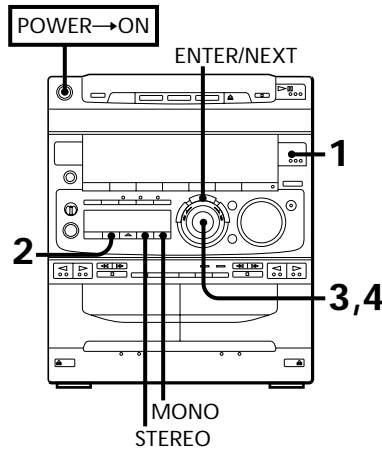
Listening to the Radio

Presetting Radio Stations

Playing Preset Radio Stations

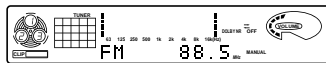
Listening to the Radio

When you want to play a radio program, you can have the tuner automatically scan the radio frequencies and tune in the stations with clear signals. This feature saves you time in searching for stations with clear signals. However, stations with weak signals may be skipped by automatic tuning. Manually tune in the ones skipped by automatic tuning.



- 1 Press TUNER/BAND repeatedly until the band you want appears in the display. As you press TUNER/BAND, the band changes as follows:

FM ↔ AM



- 2 Press TUNING MODE repeatedly until "AUTO" appears in the display.
- 3 Turn the JOG dial clockwise to scan a higher frequency station. To tune in a lower frequency station, turn the JOG dial counterclockwise. The tuner starts scanning radio frequencies, and stops automatically when it finds a clear station. "TUNED" appears in the display. "STEREO" also appears if the tuned FM station is broadcasting in stereo.



- 4 If you do not want to listen to the station selected, turn the JOG dial again to restart the scan.

When the desired station is not tuned in

Automatic tuning may skip stations with a weak signals. Tune in the station manually.

- 1 Press TUNING MODE repeatedly until "MANUAL" appears in the display.
- 2 Keep turning the JOG dial until the desired station is tuned in.

To improve AM broadcast reception

Reorient the supplied AM loop antenna for AM.



AM

To change the AM tuning interval

The AM tuning interval is preset to 10 kHz in the factory. If you need to change the interval, do as follows:

- 1 Turn on the power.
- 2 Change the band to AM.
- 3 Turn off the power.
- 4 Turn the power back on while pressing ENTER/NEXT.

After changing the AM tuning interval, reset the preset radio stations. To reset the interval to the factory setting, follow the same procedure.

When an FM program is not clear to receive

Press MONO so that "MONO" appears in the display. There will be no stereo effect, but the reception will improve. Press STEREO again to restore the stereo effect.

One Touch Play feature

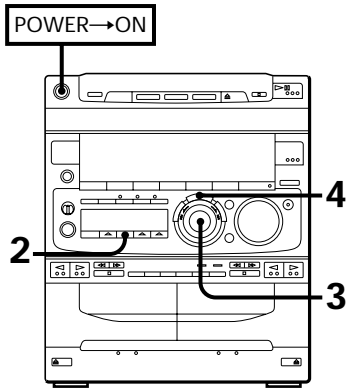
Press TUNER/BAND when the power is off. You can listen to the last received station without pressing any other buttons.

Automatic Source Selection

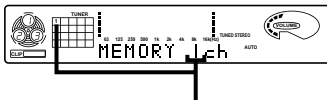
If you press TUNER/BAND while you are listening to other sound source, the tuner is selected and the last received station plays automatically.

Presetting Radio Stations

You can store radio frequencies in the tuner's memory to tune in your favorite stations quickly. You can preset up to 20 FM stations and 10 AM stations. Use the buttons on the unit for presetting stations.



- 1 Tune in a station you want to store in the preset memory.
- 2 Press TUNER MEMORY.



Preset channel number

- 3 Turn the JOG dial to select a preset channel number.
- 4 Press ENTER/NEXT.
The station is stored at the preset channel number you have decided on.
- 5 Repeat steps 1 to 4 for each station you want to store.

To erase a stored station

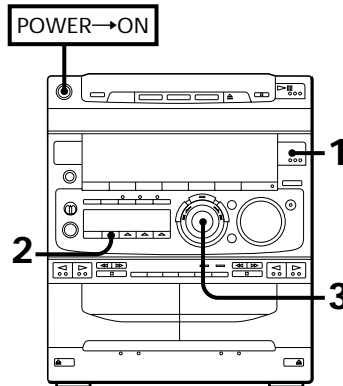
Store a new station at a previously used preset channel number. It will erase the old station and replace it with the new station.

If you have trouble storing a station or if you made a mistake

Make sure "MEMORY" is lit in the display. If not, press TUNER MEMORY again so that "MEMORY" appears (for about eight seconds) in the display, and then proceed with steps 3 and 4.

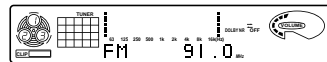
Playing Preset Radio Stations

Once you have preset the stations, use the JOG dial to quickly tune in your favorite stations.



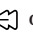

- 1 Press TUNER/BAND repeatedly to select the band you want.

FM ↔ AM



- 2 Press TUNING MODE so that "PRESET" appears in the display.



- 3 Turn the JOG dial (or press  or  on the remote) to tune in a preset station.
The station frequency appears and the station begins broadcasting.

Chapter 4: the Tape Player

Playing a Tape

Recording a CD

Recording a CD: Selecting Tape Length Automatically (tape select edit)

Recording a CD: Specifying Tape Length (time edit)

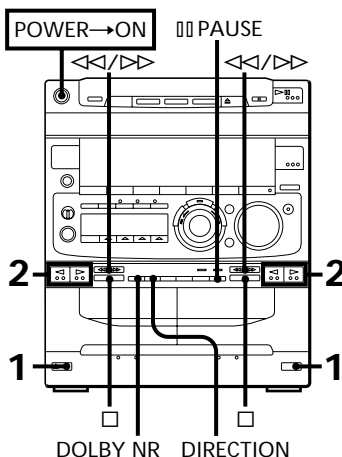
Recording a CD: Specifying Track Order (program edit)

Recording From the Radio

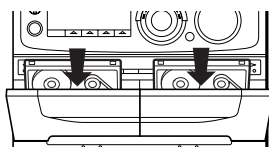
Recording From Another Tape (dubbing)

Playing a Tape

You can use TYPE I (normal), TYPE II (CrO₂) and TYPE IV (metal) tapes. When you insert a tape, the deck detects the tape type automatically.



- Press \square EJECT to open tape compartment. Insert a recorded tape in deck A or B with the tape side down and the side you want to play facing forward. Push to close the compartment. The tape will start playing from the front side.



- Press \triangleright (to play the front side) or \triangleleft (to play the reverse side). The tape starts playing.

To play	Press DIRECTION to select
One side of the tape	\rightleftarrows
Both sides* ¹	\rightleftarrows
Both decks in succession* ²	RELAY

*¹ The deck stops automatically after repeating the sequence five times.

*² See "To play both decks in succession (relay play)".

To	Press
Stop play	\square (\square *)
Pause	\square (\square *) (deck B only) PAUSE
Resume play after pause	\square (\square *) (deck B only) PAUSE, \triangleleft or \triangleright (DECK A \triangleright or DECK B \triangleright *)
Fast forward	\triangleright (\triangleright *) for front side \triangleleft (\triangleleft *) for reverse side
Rewind	\triangleleft (\triangleleft *) for front side \triangleright (\triangleright *) for reverse side
Remove the cassette	\square EJECT

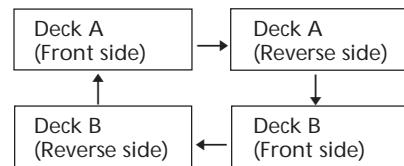
* Remote

To control with the remote

- Press DECK A \triangleright or DECK B \triangleright to play the front side and press DECK A \triangleleft or DECK B \triangleleft again to play the reverse.
- Press the desired operation button.

To play both decks in succession (relay play)

Relay play always follows the following sequence. When the reverse side of the tape in deck B finishes playing, the following sequence continues four more times.



- Press \square EJECT and insert recorded tapes in both decks.
- Press DIRECTION repeatedly until "RELAY" appears in the display.
- Press \triangleleft or \triangleright on either deck. To stop relay play, press \square .

To cancel relay play

Press DIRECTION repeatedly until " \rightleftarrows " or " \rightleftarrows " appears in the display.

When listening to a tape recorded with the Dolby* B-type noise reduction system

Press DOLBY NR button so that "DOLBY NR B" appears in the display.

The setting affects both decks. Dolby noise reduction system reduces tape hiss noise in low-level high-frequency signals.

* Dolby noise reduction manufactured under license from Dolby Laboratories Licensing Corporation. "DOLBY" and the double-D symbol \square are trademarks of Dolby Laboratories Licensing Corporation.

One Touch Play feature

Press \triangleright or \triangleleft when the power is off. You can listen to the tape without pressing any other buttons when a tape is in the deck. When a tape is not in the deck, the system will just turn on.

Automatic Source Selection

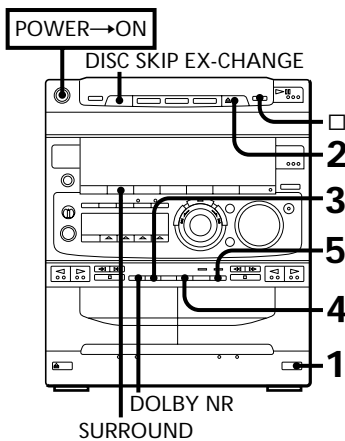
If you press \triangleright or \triangleleft (or DECK A \triangleright or DECK B \triangleright on the remote) while you are listening to other sound source, the tape deck is selected and the play starts automatically.

Recording a CD

You can record from a CD to a tape. Use TYPE I (normal) or TYPE II (CrO₂) tapes. Do not use TYPE IV (metal) tapes for recording. To listen to other sources while recording, you must stop recording.

Recording a CD Automatically

By using CD SYNCHRO, you can record from a CD to a tape quickly. Use the buttons on the unit to do this operation.



- 1 Press \triangle EJECT and insert a blank tape into deck B with the side you want to record on facing forward. Recording will start from the front side of the tape, unless you have changed the playing direction before recording. Make sure the tabs on the cassette have not been removed.
- 2 Press \triangle OPEN/CLOSE and place a CD. Then, press \triangle OPEN/CLOSE again to close the disc tray. If the indicator for the disc tray containing the CD you want to record is not lit green, press DISC SKIP EX-CHANGE repeatedly so that it lights green.
- 3 Select dual or single-sided recording.

To record	Press DIRECTION to select
One side of the tape	\rightleftarrows
Both sides*	\leftrightarrow or RELAY

* Recording always stops at the end of the reverse side. Be sure to start from the front side.

- 4 Press CD SYNCHRO. Deck B stands by for recording.

- 5 Press \square PAUSE to release recording pause. Recording starts. After about 10 seconds, the CD starts playing.

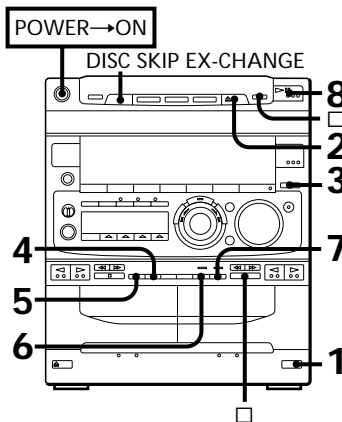
To stop recording
Press \square on deck or the CD player.

To add the surround effect
Press SURROUND so that "SUR $\square\square\square\square$ " appears. You can record the sound with surround effect. The equalizer you adjusted will not be recorded.

To activate DOLBY NR
When you want to reduce the hiss noise in low-level high-frequency signals, press DOLBY NR so that "DOLBY NR B" appears in the display after step 3.

Recording a CD Manually

You can record a CD as you like, for instance, record just the songs you want or record from the middle of the tape.



- 1 Press \triangle EJECT and insert a blank tape into deck B with the side you want to record on facing forward. Recording will start from the front side of the tape, unless you have changed the playing direction before recording. Make sure the tabs on the cassette have not been removed.
- 2 Press \triangle OPEN/CLOSE and place a CD. Then, press \triangle OPEN/CLOSE again to close the disc tray. If the button for the disc tray containing the CD you want to record is not lit green, press DISC SKIP EX-CHANGE repeatedly so that it lights green.
- 3 Press FUNCTION to select the CD player.

- 4 Select dual or single-sided recording.

To record	Press DIRECTION to select
One side of the tape	\rightleftarrows
Both sides*	\leftrightarrow or RELAY

* Recording always stops at the end of the reverse side. Be sure to start from the front side.

- 5 When you want to reduce the hiss noise in low-level high-frequency signals, press DOLBY NR so that "DOLBY NR B" appears in the display.

- 6 Press \square REC. Deck B stands by for recording.

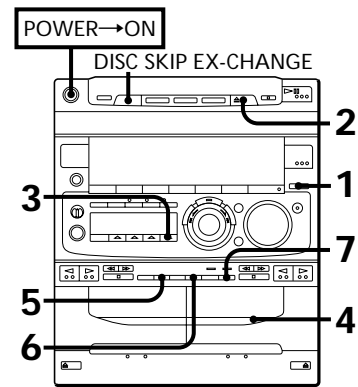
- 7 Press \square PAUSE to release recording pause. Recording starts.

- 8 Press \triangleright on the CD player. The CD starts playing.

To	Press
Stop recording	\square on deck
Pause recording	\square PAUSE
Stop CD play	\square on the CD player
Pause CD play	\triangleright on the CD player

Recording a CD: Selecting Tape Length Automatically (tape select edit)

You can have the stereo system select and indicate the most suitable tape length for recording each disc automatically. You cannot use Tape Select Edit for discs which contain 21 tracks or more.



continue to next page \rightarrow

→ **continued**

- 1 Press **FUNCTION** repeatedly until "CD" appears in the display.
- 2 Press \triangle **OPEN/CLOSE** and place a CD. Then, press \triangle **OPEN/CLOSE** again to close the disc tray. If the button for the disc tray containing the CD you want to record is not lit green, press **DISC SKIP EX-CHANGE** repeatedly so that it lights green.
- 3 Press **EDIT**. "TAPE SELECT" appears and the player divides the selections automatically. Then the display changes as follows:



Tape length required



- 4 Insert a blank tape of the indicated length (or longer) into deck B.
- 5 Select dual or single-sided recording.

To record	Press DIRECTION to select
One side of the tape	\rightleftarrows
Both sides*	\leftrightarrow or RELAY

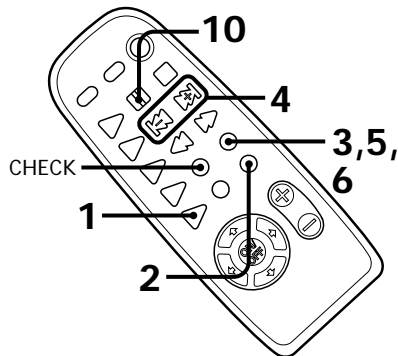
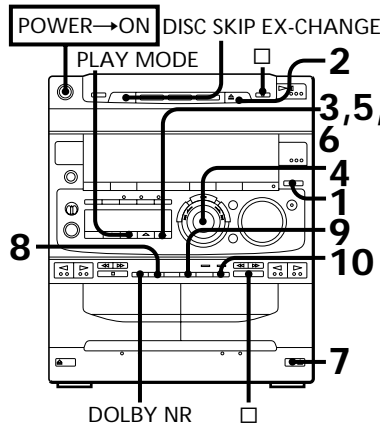
* Recording always stops at the end of the reverse side. Be sure to start from the front side.

- 6 Press **CD SYNCHRO**. Deck B stands by for recording.
- 7 Press \square **PAUSE** to release recording pause. Recording starts. After about 10 seconds, the CD starts playing.

Recording a CD: Specifying Tape Length (time edit)

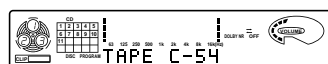
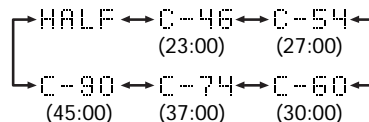
You can have the stereo system create programs based on the tape length. The CD player makes programs that will fit the tape length. For example, if you use a 40-minute tape to record a 46-minute CD, the CD player will automatically choose tracks that will fit within the 40-minutes, filling as much of the tape as possible. The player will not program those tracks beyond track

number 20. Use the buttons on both the unit and the remote to do this operation.



- 1 Press **FUNCTION** repeatedly until "CD" appears in the display.
- 2 Press \triangle **OPEN/CLOSE** and place a CD. Then, press \triangle **OPEN/CLOSE** again to close the disc tray. If the button for the disc tray containing the CD you want to record is not lit green, press **DISC SKIP EX-CHANGE** repeatedly so that it lights green.

- 3 Press **EDIT** twice. "TIME EDIT" appears in the display. Then "SELECT" and "TIME" appear alternately in the display.
- 4 Turn the **JOG** dial (or press \leftarrow or \rightarrow on the remote) to designate the tape length. Choose the indication for tapes of a corresponding minute length. Choose "HALF" if you want the CD player to play just half the total playing time of the CD without changing the order of the track. As you turn the **JOG** dial or press the \leftarrow or \rightarrow on the remote, the indication changes as follows:

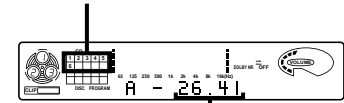


Note

You cannot select "HALF" when you want to record CD which has more than 20 tracks.

- 5 Press **EDIT**. The CD player determines the tracks to be recorded on side A automatically.

Tracks to be recorded on side A



Total playing time on side A

- 6 When you want to record on both sides, press **EDIT** again. The CD player determines the tracks to be recorded on side B. When you want to record only on side A, press \square on the CD player to stop the indication from flashing.
- 7 Press \triangle **EJECT** and insert a blank tape into deck B with the side you want to record on facing forward. Recording will start from the front side of the tape, unless you have changed the playing direction before recording. Make sure the tabs on the cassette have not been removed.

- 8 Select dual or single-sided recording.

To record	Press DIRECTION to select
One side of the tape	\rightleftarrows
Both sides*	\leftrightarrow or RELAY

* Recording always stops at the end of the reverse side. Be sure to start from the front side.

- 9 Press **CD SYNCHRO**. Deck B stands by for recording.
- 10 Press \square **PAUSE** to release recording pause. Recording starts. After about 10 seconds, the CD starts playing.

To stop recording
Press \square on deck or the CD player.

To check the order
Press **CHECK** on the remote repeatedly. Each time you press **CHECK**, the number of the programmed tracks appear in the display.

To cancel time edit
Press \square on the CD player and then press **PLAY MODE**.

To select the desired tracks beforehand

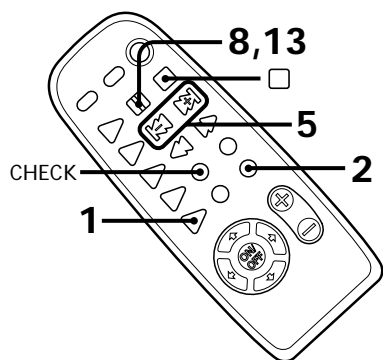
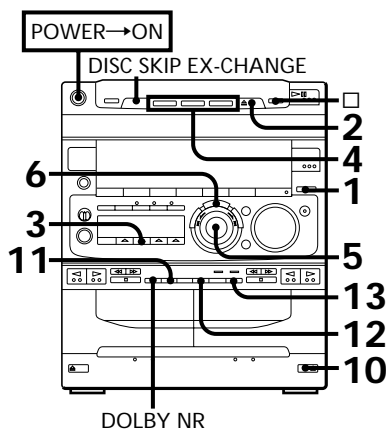
You can place priority on some tracks to be recorded by selecting them before programming (only up to 20 tracks). See "Playing Tracks in the Desired Order (program play)".

To activate DOLBY NR

When you want to reduce the hiss noise in low-level high-frequency signals, press DOLBY NR so that "DOLBY NR B" appears in the display after step 8.

Recording a CD: Specifying Track Order (program edit)

You can adjust the total recording time to the tape length while making a program. Use the buttons on both the unit and the remote to do this operation.



- 1 Press FUNCTION repeatedly until "CD" appears in the display.
- 2 Press \square OPEN/CLOSE and place a CD. Then, press \square OPEN/CLOSE again to close the disc tray. If the button for the disc tray containing the CD you want to record is not lit green, press DISC SKIP EX-CHANGE repeatedly so that it lights green.

- 3 Press PLAY MODE repeatedly until "PROGRAM" appears in the display.
- 4 Press DISC 1 - 3 to choose a CD.
- 5 Turn the JOG dial (or press \leftarrow or \rightarrow on the remote) to choose a track.
- 6 Press ENTER/NEXT. The chosen track number lights up in the music calendar and is memorized. If the track number disappears before you press ENTER/NEXT, go back to step 5.
- 7 Repeat steps 5 and 6 from the same CD and 4 to 6 from another CD to program the remaining tracks you want to record on side A in the order you want them to be recorded.
- 8 Press \square on the remote to pause recording at the end of side A. "P" appears in the display. The total playing time "0.00" is displayed.
- 9 Repeat steps 5 and 6 from the same CD and 4 to 6 from another CD to program the remaining tracks you want to record on side B in the order you want them to be recorded.
- 10 Press \square EJECT and insert a blank tape into deck B with the side you want to record on facing forward. Recording will start from the front side of the tape, unless you have changed the playing direction before recording. Make sure the tabs on the cassette have not been removed.

- 11 Select dual or single-sided recording.

To record	Press DIRECTION to select
One side of the tape	\rightarrow
Both sides*	\leftrightarrow or RELAY

* Recording always stops at the end of the reverse side. Be sure to start from the front side.

- 12 Press CD SYNCHRO. Deck B stands by for recording.
- 13 Press \square PAUSE to release recording pause. Recording starts. After about 10 seconds, the CD starts playing.

To stop recording
Press \square on deck or the CD player.

To check the order
Press CHECK on the remote repeatedly. Each time you press CHECK, the number of the programmed tracks appear in the display.

To cancel program edit

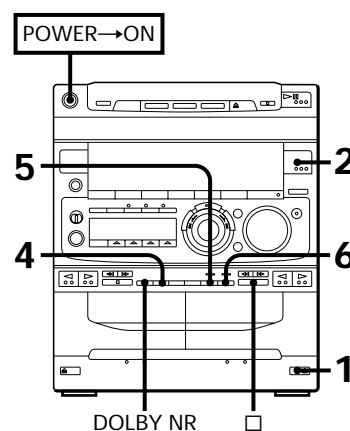
Press PLAY MODE repeatedly until "PROGRAM" disappears from the display.

To activate DOLBY NR

When you want to reduce the hiss noise in low-level high-frequency signals, press DOLBY NR so that "DOLBY NR B" appears in the display after step 11.

Recording From the Radio

You can record from the tuner onto a tape. Use TYPE I (normal) or TYPE II (CrO₂) tape.



- 1 Press \square EJECT and insert a blank tape into deck B with the side you want to record on facing forward. Recording will start from the front side of the tape, unless you have changed the playing direction before recording. Make sure the tabs on the cassette have not been removed.
- 2 Press TUNER/BAND several times until the desired radio band appears.
- 3 Tune in the radio station you want to record. (See "Listening to the Radio", or "Playing Preset Radio Stations" for details.)

- 4 Select dual or single-sided recording.

To record	Press DIRECTION to select
One side of the tape	\rightarrow
Both sides*	\leftrightarrow or RELAY

* Recording always stops at the end of the reverse side. Be sure to start from the front side.

continue to next page \rightarrow

→ continued

5 Press ○ REC.

Deck B stands by for recording.

6 Press ▢ PAUSE to release recording pause.

Recording starts.

To stop recording

Press □ on deck.

To reduce noise during AM recording

If a whistling noise is heard while recording, reorient the AM loop antenna for optimum reception.

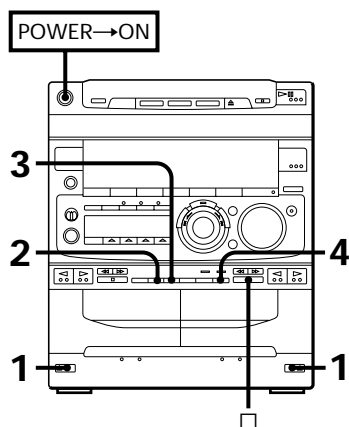
To activate DOLBY NR

When you want to reduce the hiss noise in low-level high-frequency signals, press DOLBY NR so that “DOLBY NR B” appears in the display after step 4.

Recording From Another Tape (dubbing)

Dubbing Another Tape Automatically

You can record the whole tape onto another automatically by using high speed dubbing. Use the buttons on the unit to do this operation and TYPE I (normal) or TYPE II (CrO₂) tape for dubbing.



1 Press ≡ EJECT and insert a recorded tape in deck A with the side you want to play facing forward.

Also, insert a blank tape in deck B with the side you want to record on facing forward.

Recording and playback will start from the front side of the tape, unless you have changed the playing direction before recording.

Make sure the tabs on the cassette have not been removed.

2 Choose how you want the tape to record and press DIRECTION.

Indication	Operation
→	Dubbing stops at the end of one side.
↔	When the tape in one deck comes to the end of the front side, it reverses immediately regardless of the tape position in the other deck.
RELAY	When the tape in one deck reaches its end of the front side, it stops until the other tape come to its end, and then both tapes reverse together.

3 Press HIGH SPEED DUBBING.

Deck B stands by for recording.

4 Press ▢ PAUSE.

The tape starts dubbing at high speed. When the tape has started dubbing from the reverse side in RELAY and ↔ mode, dubbing will stop at the end of the reverse side.

To stop dubbing

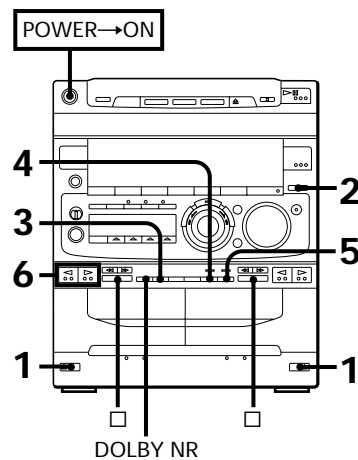
Press □ on deck B.

You do not have to press DOLBY NR at high speed dubbing

The tape in deck B is automatically recorded in the same state as the tape in deck A.

Dubbing Another Tape Manually

When you want to dub only part of the tape, dub manually at normal speed. Use TYPE I (normal) or TYPE II (CrO₂) tape for recording.



1 Press ≡ EJECT and insert a recorded tape in deck A with the side you want to play facing forward.

Also, insert a blank tape in deck B with the side you want to record on facing forward.

Recording and playback will start from the front side of the tape, unless you have changed the playing direction before recording.

Make sure the tabs on the cassette have not been removed.

2 Press FUNCTION repeatedly until “TAPE” appears in the display.

3 Select dual or single-sided recording.

To record	Press DIRECTION to select
One side of the tape	→
Both sides*	↔ or RELAY

* Recording always stops at the end of the reverse side. Be sure to start from the front side.

4 Press ○ REC.

Deck B stands by for recording.

5 Press ▢ PAUSE to release recording pause.

Recording starts.

6 Press ▷ or ◁ on deck A to start playback.

To stop recording

Press □ on deck A and B.

Notes

- When dubbing tapes originally recorded with Dolby NR B, the dubbed tape is automatically recorded with Dolby NR B.
- When you want to record a tape recorded without Dolby NR B onto another tape using Dolby NR B, press DOLBY NR so that “DOLBY NR B” appears in the display before recording.

Chapter 5: Sound Adjustment

Adjusting the Sound

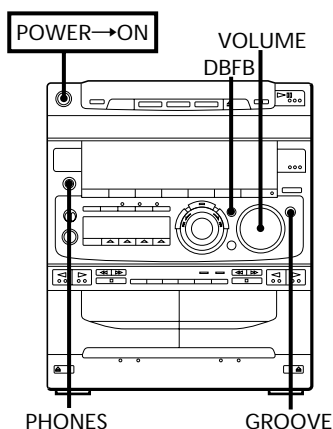
Selecting the Audio Emphasis

Adjusting the Audio Emphasis

Making a Personal Audio Emphasis File (personal file)

Adjusting the Sound

To fully enjoy the sound coming from your stereo system, make the following audio adjustments. See the following sections for additional sound adjustments.



To adjust the volume

Turn VOLUME on the unit or press VOL (+/-) on the remote.

To reinforce bass

Press DBFB* repeatedly until “DBFB ████” or “DBFB ██████” appears in the display. “DBFB ██████” is more effective than “DBFB ████”.

display off → DBFB ████ → DBFB ██████

* DBFB = Dynamic Bass Feedback

If you use the DBFB System with the graphic equalizer

If the bass is too strong, the music will sound distorted. Adjust the bass slowly while listening to music so that you can monitor the effect of the adjustment.

To get a powerful sound (GROOVE)

Press GROOVE.

The volume switches to power mode, DBFB is automatically set to full strength, the equalizer curve changes and the “GROOVE” button lights up. Press GROOVE again to return to the previous volume.

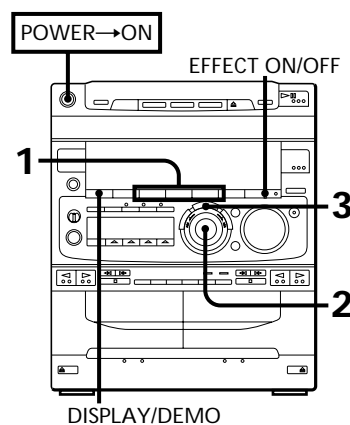
Notes

- Cancelling GROOVE does not cancel the DBFB level or equalizer curve. To cancel the DBFB level, press DBFB repeatedly until “DBFB ██████” or “DBFB ████” disappears from the display. Adjust the equalization to obtain the effect you desire.
- The sound may be distorted with DBFB or GROOVE activated when connecting an optional super woofer (Sony SA-W10, etc.) to the unit. In this case, set DBFB off and adjust the sound of a super woofer.

To listen through the headphones
Connect the headphones to PHONES jack. No sound will come from the speakers.

Selecting The Audio Emphasis

Your stereo system is provided with 15 different preset effects (music menu) created from different graphic equalizer and surround effect settings. With the press of a single button, you can choose between a variety of effects according to musical genre or use. The personal file function (see page 21) lets you store your own effects.



1 Press one of the MENU buttons (or MUSIC MENU / on the remote) repeatedly to select MENU. See the chart “Music menu options” on the following page. The last effect chosen from that menu appears in the display.

2 Use the JOG dial (or press MUSIC MENU / on the remote repeatedly) to select the preset you desire. The preset name appears in the display.

3 Press ENTER/NEXT.

To cancel the effect

Press EFFECT ON/OFF (or MUSIC MENU ON/OFF on the remote) so that “EFFECT OFF” appears in the display.

continue to next page →

→ continued

Music menu options

“SUR ■■■■■■” appears if you select an effect with surround effects.

MENU button	Effect	For
MENU 1	ROCK	standard music sources
	POPS	
	JAZZ	
	CLASSIC	
	DANCE	
MENU 2	SALSA	listening situations
	REGGAE	
	BALLADE	
	SOUL	
MENU 3	MORNING	listening situations
	DAY	
	EVENING	
	NIGHT	
	RELAX	

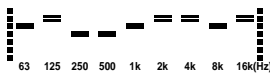
To change the equalizer display

Each time you keep pressing DISPLAY/ DEMO for a few seconds, the equalizer display changes to show one of the four displays below.

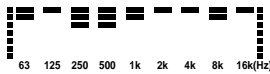
Spectrum analyzer 1



Spectrum analyzer 2



Spectrum analyzer 3



Graphic equalizer curve



Adjusting the Audio Emphasis

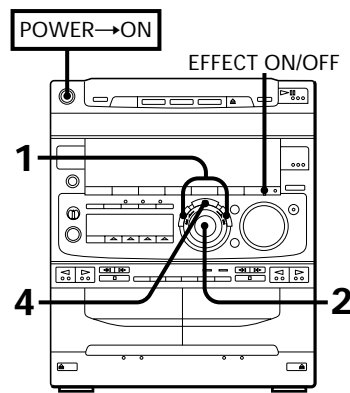
You can adjust the audio emphasis using the following two functions:

- Graphic Equalizer
- Surround Effect

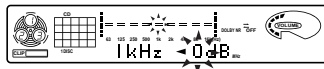
Adjusting the Sound (graphic equalizer)

You can adjust the sound by raising or lowering the levels of specific frequency ranges.

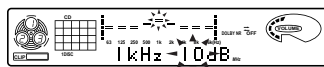
Before operation, first select the audio emphasis you want for your basic sound.



- 1 Press FREQUENCY + or - to select a frequency band.



- 2 Turn the JOG dial to adjust level.



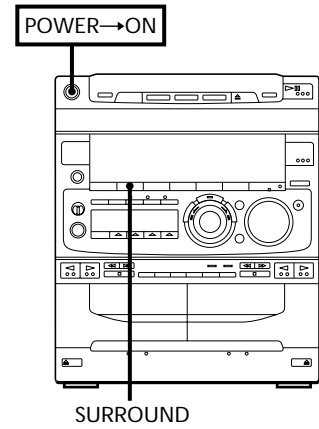
- 3 Repeat steps 1 and 2.
- 4 Press ENTER/NEXT when finished. The equalizer disappears from the display but you can hear the effect of the adjustments.

Note

If you choose another menu audio emphasis (other than “EFFECT OFF”) the adjusted sound effect is lost. To retain the adjusted sound effect for future use, store it in a personal file. (See “Making a Personal Audio Emphasis File (personal file)”.)

Activating the Sound Field (surround effect)

You can use the surround effect without connecting surround speakers. Before operation, first select the audio emphasis you want for your basic sound.



- To turn on the surround effect**
Press SURROUND.

“SUR ■■■■■■” appears in the display.

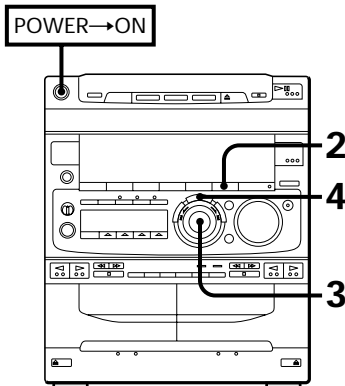
- To turn off the surround effect**

Press SURROUND.

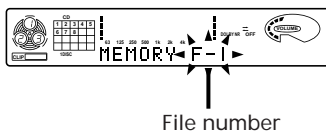
“SUR ■■■■■■” disappears from the display.

Making a Personal Audio Emphasis File (personal file)

You can create a personal file of audio patterns (surround effect and graphic equalizer) and store them in the memory of the unit. Later call up an audio pattern to play a favorite tape, CD, or radio program. Create up to five audio files. Before operation, first select the audio emphasis you want for your basic sound.







- 1 Obtain the sound effect you want by using the graphic equalizer and surround effect.
- 2 Press and hold down P FILE for more than a second. The personal file number appears in the display.



- 3 Use the JOG dial to select the file number (P FILE) where you want to store the sound effect.
- 4 Press ENTER/NEXT. The adjusted sound effects are stored under the selected file number. The settings previously stored at this memory location are erased and replaced by the new settings.

To call up the personal file

- 1 Press P FILE (or MUSIC MENU  /  on the remote) repeatedly until personal file appears in the display. The last selected personal file appears in the display.
- 2 Use the JOG dial (or press MUSIC MENU  /  on the remote) to select the personal file you desire.
- 3 Press ENTER/NEXT.

Chapter 6:

Additional Features

Falling Asleep to Music

Waking up to Music

Timer-Recording Radio Programs

Microphone Mixing

Karaoke: Singing Along

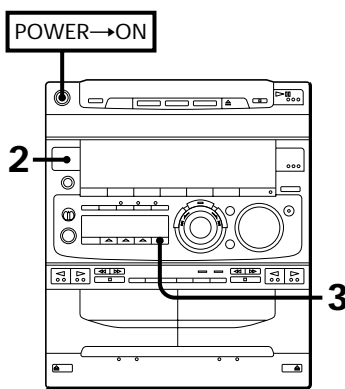
Connecting Optional Equipment

Falling Asleep to Music

You can set the stereo system to turn off automatically so you can go to sleep to music (sleep timer).

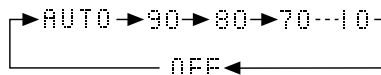
You can set the sleep timer even if you have already set the wake-up timer or timer-recording.

Before setting the sleep timer, make sure the clock has been set correctly.



- 1 Play your favorite sound source (a tape, the tuner or a CD).
- 2 Press **TIMER**.
- 3 Press **SLEEP** while the source is playing to choose how long you want the music to play. "SLEEP" and minutes indication appear in the display. As you press **SLEEP**, the indication decreases by ten minutes from 90 to 10.

The power will turn off after 90 to 10 minutes depending on the length of time you chose.



When you choose AUTO

The power turns off when the current CD or tape (one side) finishes playback (for up to 100 minutes).

The power turns off even if you pause the tape or stop playing CD or tape.

To cancel the sleep timer

Press **SLEEP** on the remote repeatedly until "OFF" appears in the display.

To check the remaining time before the sleep timer turns off the system

Press **SLEEP** on the remote once.

The remaining time is displayed in minutes for several seconds.

To change the remaining time while the sleep timer is on

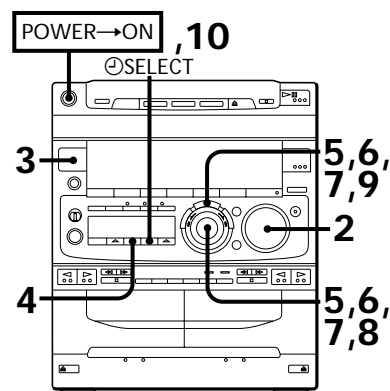
Press **SLEEP** on the remote several times until the desired length of time indication appears.

Note

While the sleep timer is activated, the daily and recording timer functions do not work.

Waking Up to Music

You can wake up to music at the preset time. You only need to set the timer once. Before setting the timer, make sure the clock has been set correctly. The preset timer activates at the same time every day. To wake up to the sound of the radio, be sure to preset the station you want to listen to beforehand. (See "Presetting Radio Stations".)



- 1 Prepare the sound source.

To wake up to the radio

Tune in the preset station you want.

To wake up to a CD

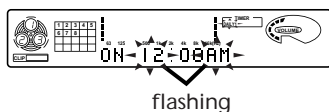
Insert a CD. If you want to play it from a desired track, do the necessary procedures for programmed CD play. (see "Playing Tracks in the Desired Order (program play)".)

To wake up to a tape

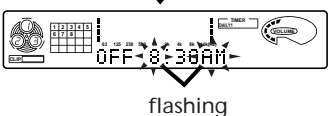
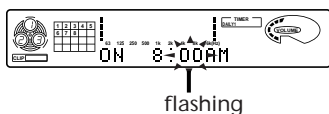
Insert the tape with the side you want to play facing forwards you. If you insert the tapes in both decks, you will hear the sound from deck A.

- 2 Turn **VOLUME** to adjust the volume. The music will start playing with the adjusted volume when the preset time comes.
- 3 Press **TIMER**.
- 4 Press **SET**.

- 5** Use the JOG dial to select either DAILY 1 or 2 and press ENTER/NEXT. "ON" appears and the hour digits flash in the display.

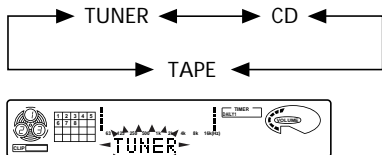


- 6** Use the JOG dial to set the hour you want the system to turn on and press ENTER/NEXT. Set the minutes in the same way. "OFF" appears and the hour digits flash in the display.



- 7** Use the JOG dial to set the hour you want the system to turn off and press ENTER/NEXT. Set the minutes in the same way.

- 8** Use the JOG dial to select a sound source. The display changes as follows:



- 9** Press ENTER/NEXT. The preset items appear in the display sequentially.

- 10** Press POWER to turn off the system. The power will go on at the preset time and the music will play with the volume you have adjusted. At the turn-off time, the power will go off again.

To change the preset timer settings
Start over from step 1.

To check the preset timer settings

- 1 Press TIMER.
- 2 Press ⊖ SELECT and use the JOG dial to choose the mode you want to check.
- 3 Press ENTER/NEXT. The preset items appear in the display sequentially, then the original display returns.

To change the timer

Select the timer display you desire in step 2 of "To check the preset timer settings".

To cancel the timer

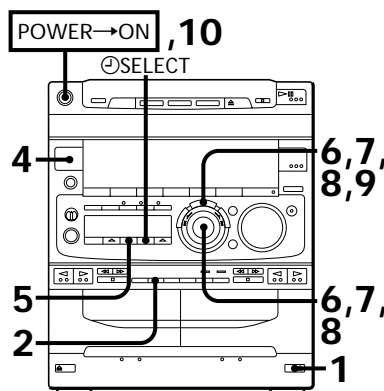
- 1 Press TIMER.
- 2 Press ⊖ SELECT and use the JOG dial to choose "TIMER OFF."
- 3 Press ENTER/NEXT. The next time you want to use the timer, select the timer display you used in step 2 (DAILY1 or DAILY 2) and press ENTER/NEXT.

Notes

- You cannot set the timer if the timer ON and OFF times are the same.
- You cannot activate wake-up timer and timer-recording at the same time.

Timer-Recording Radio Programs

You can set the timer to record from the radio at a certain time. This timer works only once for each setting. Make sure the clock has been set correctly.



- 1** Press ⊕ EJECT and insert a blank tape in deck B with the side you want to record on facing forward.

- 2** Select dual or single-sided recording.

To record	Press DIRECTION to select
One side of the tape	→
Both sides*	↔ or RELAY

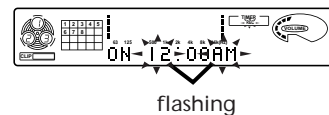
* Recording always stops at the end of the reverse side. Be sure to start from the front side.

- 3** Tune in a station you want to record.

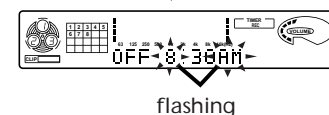
- 4** Press TIMER.

- 5** Press ⊖ SET.

- 6** Use the JOG dial to select REC and press ENTER/NEXT. "ON" appears and the hour digits flash in the display.



- 7** Use the JOG dial to set the hour you want the system to turn on and press ENTER/NEXT. Set the minutes in the same way. "OFF" appears and the hour digits flash in the display.



- 8** Use the JOG dial to set the hour you want the system to turn off and press ENTER/NEXT. Set the minutes in the same way.

- 9** Press ENTER/NEXT. The preset items appear in the display sequentially.

- 10** Press POWER to turn off the system. The power comes 15 seconds before the preset time on and the volume level is automatically set to the minimum.

To check the preset times settings

- 1 Press TIMER.
- 2 Press ⊖ SELECT and use the JOG dial to select "REC".
- 3 Press ENTER/NEXT. The preset items appear in the display sequentially, then the original display returns.

To change the preset timer settings
Start over from step 1.

To cancel the timer

- 1 Press TIMER.
- 2 Press ⊖ SELECT and use the JOG dial to choose "TIMER OFF."
- 3 Press ENTER/NEXT. The timer indicators disappear from the display.

continue to next page →

→ continued

If the power is on at the preset time

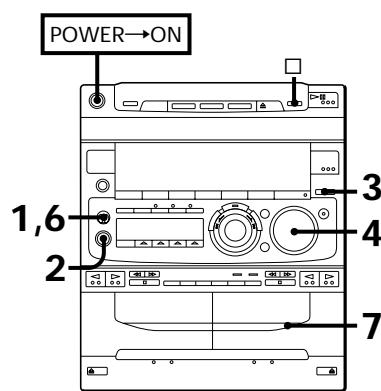
The sound source will automatically change to the tuner, but tuner recording will not start.

Notes

- You cannot set the timer if the timer ON and OFF times are the same.
- You cannot activate timer-recording and wake-up timer at the same time.

Microphone Mixing

You can “mix” sounds by playing one of the components and singing or speaking into a microphone (not supplied). The mixed sounds can then be recorded on a tape.



- 1 Turn MIC LEVEL to MIN to turn down the microphone control level.
- 2 Connect a microphone at the MIX MIC jack.
- 3 Press FUNCTION several times to select a sound source and play it.
- 4 Adjust VOLUME.
If you hear acoustic feedback, move the microphone away from the speakers or change the direction of the microphone.
- 5 Sing or speak into the microphone.
- 6 Adjust MIC LEVEL.
- 7 If you want to record mixed sound, insert a tape in deck B and start recording.

To record from the microphone only

- 1 Press FUNCTION repeatedly until “CD” appears in the display. If a CD is being played, press \square on the CD player to stop playing.
- 2 Start recording.
- 3 Sing or speak into the microphone.

When you finish mixing

Turn the MIC LEVEL control to MIN and disconnect the microphone.

Note

When howling occurs, decrease sound level, keep a microphone away from the speakers or turn it in the other direction.

Notes on vocal reduction

The singer’s voice may not be reduced completely for the following reasons:

- Monaural recorded source (Instruments may also be reduced.)
- Only a few instruments are playing in the stereo recorded source
- A duet is being played
- The source has strong echoes or chorus
- The singer’s voice on the source deviates from the center
- The voice on the source is singing in high soprano or tenor

To Sing Along with Multiplex CDs or Tapes

You can sing along using the microphone while playing a multiplex CD or tape.

Press KARAOKE PON/MPX repeatedly until “ \square MPX R” or “ \square MPX L” appears in the display (choose right (R) or left (L) according to the encoding on your MPX software).

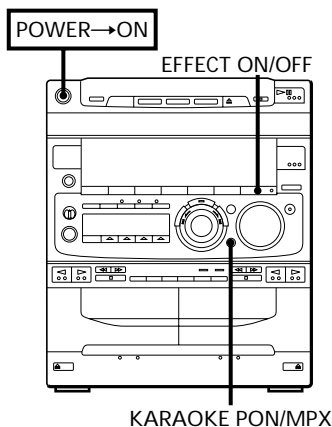
Then, you can hear your voice through the microphone and the instruments.

To hear both channels (the instruments and the recorded singer’s voice)

Press KARAOKE PON/MPX repeatedly so that “ \square PON”, “ \square MPX R” or “ \square MPX L” disappears from the display.

If you press EFFECT ON/OFF or recall a sound effect with the MENU buttons
The karaoke mode is cancelled.

Karaoke: Singing Along



To Reduce the Vocals (Karaoke pon)

You can minimize the singer’s voice, “vocal reduction,” so you can sing along with any stereo CD or tape. When you want to record the sound of the CD or tape and your voice, operate steps below.

To reduce the vocals

Press KARAOKE PON/MPX so that “ \square PON” appears in the display.
To cancel vocal reduction, press KARAOKE PON/MPX repeatedly so that “ \square PON”, “ \square MPX R” or “ \square MPX L” disappears from the display.

If you press EFFECT ON/OFF or recall a sound effect with the MENU buttons
The karaoke mode is cancelled.

Connecting Optional Equipment

For greater enjoyment of your stereo system, you can connect other components to the stereo. You can connect:

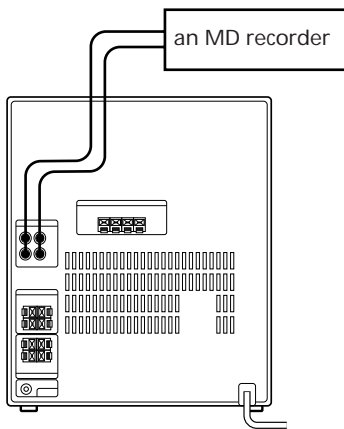
- an MD recorder
- a VCR
- a turntable
- surround speakers
- a super woofer

Connecting an MD Recorder

You can record from the sound sources of the stereo into the MD recorder in analog sound.

You can also listen to the sound from the MD recorder by pressing FUNCTION repeatedly to select 100 CD.

rear panel

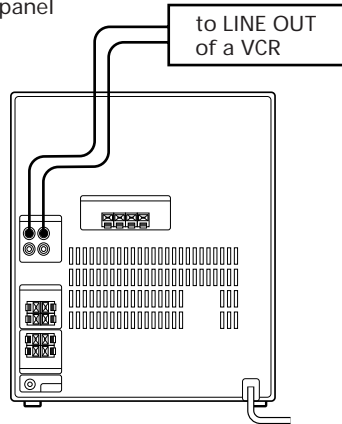


Connect	With
LINE IN jack of the MD recorder	100 CD/VIDEO OUT jacks
LINE OUT jack of the MD recorder	100 CD/VIDEO IN jacks

Connecting a VCR

You can connect a VCR and hear the sound through the connected speakers.

rear panel



Connect	With
LINE OUT jacks of the VCR	100 CD/VIDEO IN jacks

Press FUNCTION repeatedly to select VIDEO.

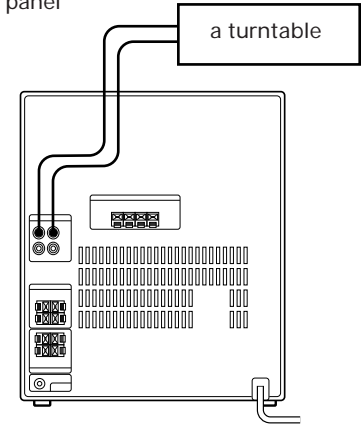
Note

If you cannot select "VIDEO" even when you have pressed FUNCTION, press POWER while pressing FUNCTION when the power is turned off. "100 CD" will be switched to "VIDEO". To return to "100 CD", do the same procedures.

Connecting a Turntable

You can connect a turntable to 100CD/VIDEO IN jacks. Before you connect, check which type of turntable you have.

rear panel



Is the turntable supplied with a phono equalizer?	Connect with
Yes	100 CD/VIDEO IN jacks
No	100 CD/VIDEO IN jacks using a MM cartridge equalizer and connecting cable (not supplied)

Press FUNCTION to select VIDEO.

Note

If you cannot select "VIDEO" even when you have pressed FUNCTION, press POWER while pressing FUNCTION when the power is turned off. "100 CD" will be switched to "VIDEO". To return to "100 CD", do the same procedures.

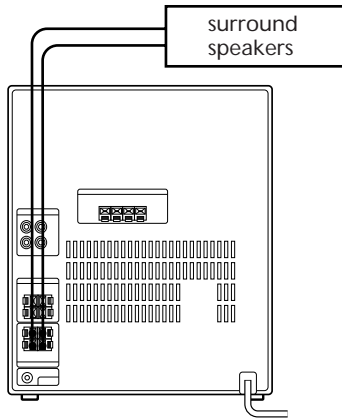
continue to next page →

→ continued

Connecting Surround Speakers

You can connect surround speakers to SURROUND SPEAKER connectors. Connect the right rear speaker to the SURROUND SPEAKER R connectors and the left rear speaker to the SURROUND SPEAKER L connectors.

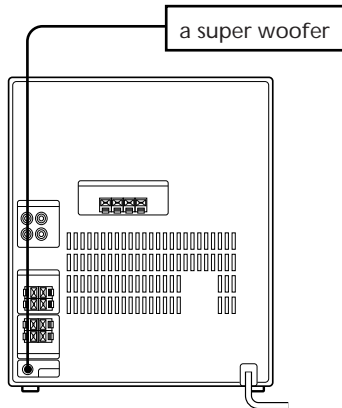
rear panel



Connecting a Super Woofer

You can connect a super woofer to SUPER WOOFER jack.

rear panel



For Your Information

Precautions

Troubleshooting Guide

Maintenance

Specifications

Index to Parts and Controls

Index

On safety

- The unit is not disconnected from the AC power source (mains) as long as it is connected to the wall outlet, even if the unit itself has been turned off.
- Unplug the system from the AC power outlet if it is not to be used for an extended period of time. To disconnect the AC power cord, pull it out by the plug. Never pull the cord itself.
- Should any solid object or liquid fall into the component, unplug the stereo system and have the component checked by qualified personnel before operating it any further.
- AC power cord must be changed only at the qualified service shop.

On installation

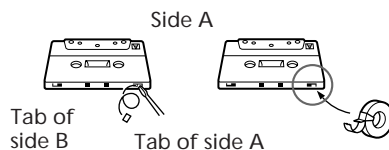
- Place the stereo system in a location with adequate ventilation to prevent heat build-up in the stereo system.
- Do not place the unit in an inclined position.
- Do not place the unit in locations where it is:
 - Extremely hot or cold
 - Dusty or dirty
 - Very humid
 - Vibrating
 - Subject to direct sunlight

On condensation in the CD player component

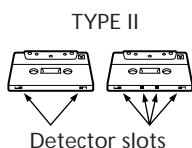
If the system is brought directly from a cold to a warm location, or is placed in a very damp room, moisture may condense on the lens inside the CD player. Should this occur, the CD player will not operate. Remove the CD and leave the system turned on for about an hour until the moisture evaporates.

To save a tape permanently

To prevent a tape from being accidentally recorded over, break off the cassette tab from side A or B as illustrated. If you later want to reuse the tape for recording, cover the broken tab with adhesive tape.



When you are using a TYPE II (CrO₂) or TYPE IV (metal) cassette, be careful not to cover the detector slots which allow the tape player to automatically detect the type of tape.



Troubleshooting Guide

If you run into any problem using this stereo system, use the following check list. And first check the following points:

- The power cord is connected firmly.
- The speakers are connected correctly and firmly.

Should any problem persist after you have made the checks below, consult your nearest Sony dealer.

Tuner

“TUNED” flashes in the display.

- Adjust the antenna.

“STEREO” flashes in the display.

- Adjust the antenna.

Severe hum or noise.

- Adjust the antenna.
- The signal strength is too weak. Connect the external antenna.
- Connect the ground wire.

A stereo FM program cannot be received in stereo.

- Press STEREO so that “STEREO” appears.

Tape Player

The tape does not record.

- No tape in the cassette holder.
- The tab has been removed from the cassette.
- The tape has reeled to the end.

The tape does not record nor playback or there is a decrease in sound level.

- The heads are dirty. Clean them.*
- Magnetic deposits have built-up on the record/playback heads.*

There is excessive wow or flutter, or the sound drops out.

- The capstans or pinch rollers are contaminated.*

The tape does not erase completely.

- Magnetic deposits have built-up on the record/playback heads.*

Noise increases or the high frequencies are erased.

- Magnetic deposits have built-up on the record/playback heads.*

* See “Maintenance.”

continue to next page →

Precautions

If you have any questions or problems concerning your stereo system, please consult your nearest Sony dealer.

→ continued

CD Player

The disc tray does not close.

- The CD is not placed correctly.

The CD will not play.

- The CD is dirty.
- The CD is inserted label side down.
- The player is in pause mode.
- Moisture condensation has built up.
Leave the system turned on for about an hour until the moisture evaporates.

"CD NO DISC" is displayed.

- There is no CD in the player.

Play does not start from the first track.

- The player is in program or shuffle mode. Press PLAY MODE so that "PROGRAM" or "SHUFFLE" goes out.

General

The sound from an optional super woofer (Sony SA-W10, etc.) is distorted.

- Set DBFB off
- Adjust the sound of a super woofer.

There is no sound.

- Rotate VOLUME clockwise.
- The headphones are connected. Disconnect them.

Sound comes from one channel or unbalanced left and right volume.

- Check the speaker connections of the inoperative channel.

The left and right sound are reversed.

- Check the speaker connection and speaker placement.

Bass is lacking or the location of the musical instruments is apparently imprecise.

- Check the speaker connection for proper phasing.

There is severe hum or noise.

- A TV or VCR is too close to the stereo system. Move the stereo system away from the TV or VCR.

"12:00 AM" flashes in the display.

- A power interruption occurred. Set the clock again.

Demo mode appears in the display after deactivating the demo mode.

- When a power interruption occurs for longer than half a day, set music clips, timer settings and tuner presetting again.

The remote does not function.

- The batteries have run down. Replace both batteries.
- There is an obstacle between the remote and the system. Remove the obstacle.

Restoring the Factory Settings

Hold down DISPLAY/DEMO, TUNER/BAND and MENU 3 at the same time.

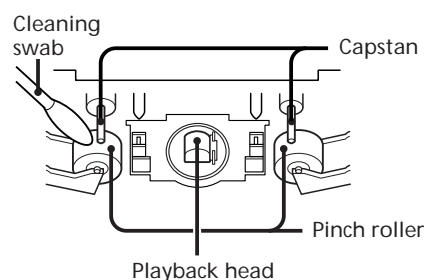
Maintenance

To clean the tape heads and tape path

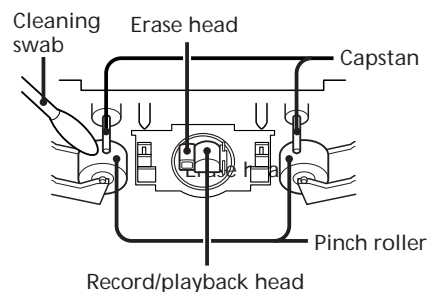
Contaminated tape heads cause poor recording or sound drop-out in playback. We recommend cleaning after every 10 hours of operation.

Open the tape compartment and wipe the heads, the pinch rollers and the capstans with a cleaning swab slightly moistened with cleaning fluid or alcohol. Wipe the parts shown below:

Deck A



Deck B



Insert a tape when the areas cleaned are completely dry.

To demagnetize the tape heads

After 20 to 30 hours of use, enough residual magnetism will have built up on the heads to begin to cause loss of high frequencies and hiss. At this time, demagnetize the heads and all metal parts in the tape path with a commercially available tape head demagnetizer. Refer to the instructions of the demagnetizer.

To clean the cabinet

Use a soft cloth slightly moistened with mild detergent solution.

To clean the CD

When a CD is dirty, clean it with a cleaning cloth. Wipe the CD from the center out.

Notes on CD

- Do not use solvents such as benzene, thinner, commercially available cleaners, or antistatic spray intended for vinyl LPs.
- If there is a scratch, dirt or fingerprints on the CD, it may cause a tracking error.

Specifications

For the U.S. model AUDIO POWER SPECIFICATIONS

POWER OUTPUT AND TOTAL HARMONIC DISTORTION:

With 6 ohm loads, both channels driven, from 40 – 20,000 Hz; rated 50 watts per channel minimum RMS power, with no more than 0.9 % total harmonic distortion from 250 milliwatts to rated output.

CD player section

System	Compact disc and digital audio system
Laser	Semiconductor laser ($\lambda=780$ nm) Emission duration: continuous
Laser output	Max. $44.6 \mu\text{W}^*$ * This output is the value measured at a distance of 200 mm from the objective lens surface on the Optical Pick-up Block with 7 mm aperture.
Frequency response	2 Hz – 20 kHz (± 0.5 dB)
Wavelength	780 – 790 nm
Signal-to-noise ratio	More than 90 dB
Dynamic range	More than 90 dB

Tuner section

FM stereo, FM/AM superheterodyne tuner

FM tuner section

Tuning range	87.5 – 108.0 MHz (100 kHz step)
Antenna	FM lead antenna
Antenna terminals	75 ohm unbalanced
Intermediate frequency	10.7 MHz

AM tuner section

Tuning range	531 – 1,710 kHz (with the tuning interval set at 9 kHz) 530 – 1,710 kHz (with the tuning interval set at 10 kHz)
Antenna	AM loop antenna, External antenna terminals
Intermediate frequency	450 kHz

Amplifier section

Continuous RMS power output
U.S. model: 50 W + 50 W (6 ohms at 40 – 20,000Hz, 0.8 % THD)
Canadian model: 50 W + 50 W (8 ohms at 1 kHz, 5% THD)

Inputs

100 CD/VIDEO IN (phono jacks):
voltage 450 mV,
impedance 47 kilohms
MIX MIC (phone jacks):
sensitivity 1 mV,
impedance 10 kilohms

Outputs

100 CD/VIDEO OUT (phono jacks):
voltage 250 mV
impedance 1 kilohms
PHONES (stereo phone jack):
accepts headphones of 8 ohms or more.

SPEAKER:

accepts impedance of 6 to 16 ohms.

SURROUND SPEAKER:

accepts impedance of 16 ohms.

SUPER WOOFER:

Voltage 1 V, impedance 1 kilo ohms.

Tape player section

Recording system

4-track 2-channel stereo

Frequency response

(DOLBY NR OFF)
40 – 13,000 Hz (± 3 dB),
using Sony TYPE I cassette
40 – 14,000 Hz (± 3 dB),
using Sony TYPE II cassette

Wow and flutter

$\pm 0.15\%$ W.Peak (IEC)
0.1% W.RMS (NAB)
 $\pm 0.2\%$ W.Peak (DIN)

Speaker

SS-H771

Speaker system 3-way speaker system

Speaker units

Woofers: 15 cm, cone type
Tweeters: 5 cm, cone type
Super Tweeter:

2 cm, dome type

Enclosure type

Bass reflex

Rated impedance

6 ohms

Dimensions

Approx. $205 \times 325 \times 275$ mm
($8 \frac{1}{8} \times 12 \frac{7}{8} \times 10 \frac{7}{8}$ in)

Mass

Approx. 4 kg (8 lb 13 oz)
net per speaker

Supplied accessories

AM loop antenna (1)
Remote RM-SD50 (1)
Sony SUM-3 (NS) batteries (2)
FM lead antenna (1)
Speaker cords (2)

General

Power requirements

120 V AC, 60 Hz

Power consumption

U.S. model: 110 W

Canadian model: 150 W

Dimensions

Approx. $280 \times 325 \times 360$ mm
($11 \frac{1}{8} \times 12 \frac{7}{8} \times 14 \frac{1}{4}$ in)
(w/h/d)

Mass

incl. projecting parts and controls
Approx. 8.2 kg
(18 lb 1 oz)

Optional accessory

Surround speaker SS-SR10P

Speaker system Full range

Speaker units 10 cm dia., cone type

Enclosure type Closed

Rated impedance

16 ohms

Dimensions

Approx. $125 \times 160 \times 110$ mm
($5 \times 6 \frac{3}{8} \times 4 \frac{3}{8}$ in) (w/h/d/)

Mass

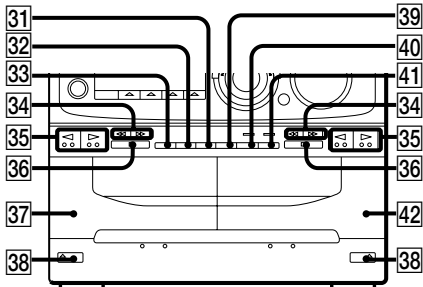
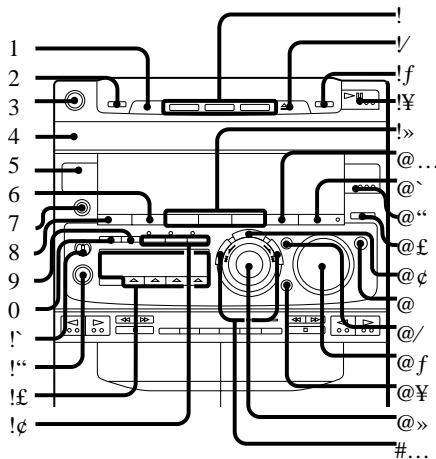
Approx. 700 g (1 lb 8 oz) per speaker

Design and specifications are subject to change without notice.

Index to Parts and Controls

Refer to the pages indicated in parentheses for details on how to use the controls. Controls with an asterisk have indicators on themselves.

Front Panel



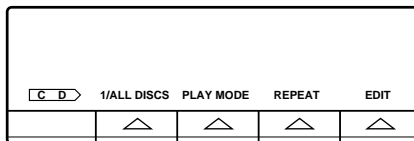
- 1 DISC SKIP EX-CHANGE button (7)
- 2 LOOP button (10)
- 3 POWER switch (7)
- 4 Disc tray (7)
- 5 TIMER button (22)
- 6 SURROUND button (20)
- 7 PHONES jack (19)
- 8 DISPLAY/DEMO button (5)
- 9 CLIP ERASE button (10)
- 10 CLIP PLAY button (10)
- 11 MIC LEVEL knob (24)
- 12 MIX MIC jack (24)
- 13 MULTI FUNCTION CONTROL buttons (30)
- 14 CLIP A - C buttons (10)
- 15 DISC 1 - 3 buttons (7)
- 16 OPEN/CLOSE button (7)
- 17 (stop) button (7)
- 18 (play/pause) button* (7)
- 19 MENU 1 - 3 buttons (19)
- 20 P FILE button (21)
- 21 EFFECT ON/OFF button* (19)
- 22 TUNER/BAND button* (12)
- 23 FUNCTION button (8, 24)

- 24 ENTER/NEXT button (9)
- 25 GROOVE button* (19)
- 26 DBFB button (19)
- 27 VOLUME control* (19)
- 28 KARAOKE PON/MPX button (24)
- 29 JOG dial (7)
- 30 FREQUENCY +/- buttons (20)
- 31 HIGH SPEED DUBBING button (18)
- 32 DIRECTION button (14)
- 33 DOLBY NR button (14)
- 34 <</>> (rewind/fast forward) button (14)
- 35 </> reverse side play/front side play button* (14)
- 36 (stop) button (14)
- 37 Deck A (14)
- 38 EJECT button (14)
- 39 CD SYNCHRO button (15)
- 40 REC button* (15)
- 41 PAUSE button* (15)
- 42 Deck B (14)

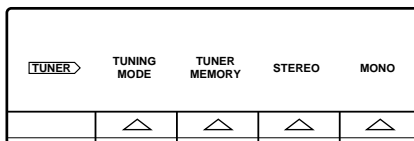
MULTI FUNCTION CONTROL Buttons

The buttons you can operate the CD player, tuner and the timer light up.

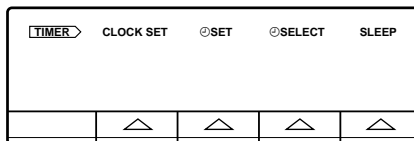
CD player



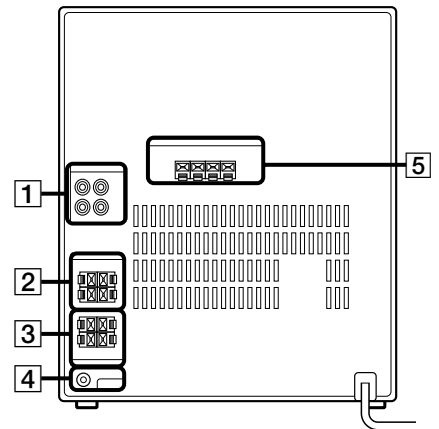
Tuner



Timer

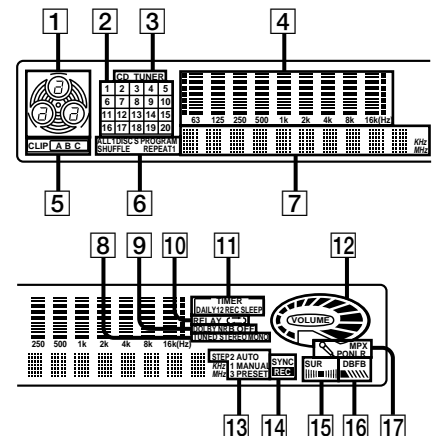


Rear Panel



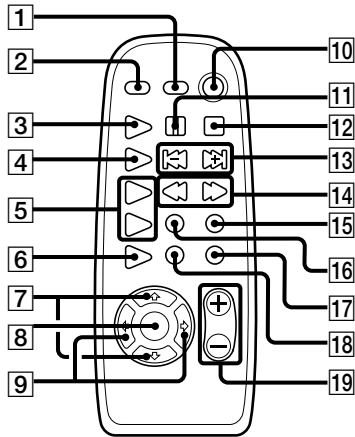
- 1 100 CD/VIDEO IN/OUT jacks (25)
- 2 SPEAKER L/R connectors (4)
- 3 SURROUND SPEAKER L/R connectors (4)
- 4 SUPER WOOFER jack (26)
- 5 ANTENNA terminals (4)

Display Window



- 1 Disc tray indicator
- 2 Music calendar (7)
- 3 CD/TUNER indicator (7, 12)
- 4 Graphic Equalizer indicator (20)
- 5 CLIP indicators (10)
- 6 CD playback indicators (8, 9)
- 7 Multi display
- 8 Tuning indicator (12)
- 9 DOLBY NR indicator (14)
- 10 Direction mode indicators (14)
- 11 Timer indicators (22, 23)
- 12 VOLUME indicators
- 13 Tuner indicators (12, 13)
- 14 SYNC REC indicator
- 15 SUR indicator (20)
- 16 DBFB indicator (19)
- 17 Karaoke PON/MPX indicators (24)

Remote



- 1 SLEEP button (22)
- 2 LOOP button (10)
- 3 CD ▷ button (7)
- 4 TUNER/BAND button (12)
- 5 DECK A ▷ / DECK B ▷ button (14)
- 6 FUNCTION ▷ button (8, 24)
- 7 MUSIC MENU ☞ / ☜ buttons (19)
- 8 MUSIC MENU ON/OFF button (19)
- 9 MUSIC MENU ⏪ / ⏩ buttons (19)
- 10 POWER switch (7)
- 11 ||| (pause) button (7)
- 12 □ (stop) button (7)
- 13 ⏮ / ⏭ AMS* button (7)
- 14 ⏮ / ⏭ (rewind/fast forward) button (8)
- 15 EDIT button (16)
- 16 CHECK button (9)
- 17 DISC SKIP button
- 18 CLEAR button (9)
- 19 VOL (+/-) button (19)

* AMS=Automatic Music Sensor

Index

- Adjusting
 - the audio emphasis 19
 - the sound 19
 - the volume 19
- AMS 7
- Antennas 4
- Batteries 6
- CD player 7
- CD synchro recording 15
- CLIP play 10
- Clock setting 6
- Connecting
 - optional equipment 25
 - the antennas 4
 - the power 5
 - the speakers 4
 - the stereo 4
- Dolby NR (noise reduction) 14
- Dubbing
 - another tape automatically 18
 - another tape manually 18
- Graphic equalizer 20
- Karaoke 24
- Maintenance 28
- Microphone mixing 24
- Multiplex 24
- Music calendar 7, 8
- Normal play 7
- One touch play 8, 12, 14
- Parts identification 30
- Playing
 - a tape 14
 - CDs (clip play) 10
 - CDs (normal play) 7
 - preset radio stations 13
 - tracks in random order (shuffle play) 8
 - tracks in the desired order (program play) 9
 - tracks repeatedly (repeat play) 9
 - tracks: repeating aspecified portion (loop play) 10
- Precautions 27
- Program play 9
- Radio stations
 - presetting 13
 - tuning in 12
- Recording
 - a CD (loop play) 11
 - a CD (program edit) 17
 - a CD (time edit) 16
 - a CD automatically 15
 - a CD manually 15
 - a radio 17
 - another tape (dubbing) 18
 - timer recording 23
- Relay play 14
- Repeat play 9
- Restoring the factory settings 28
- Saving a recording 27
- Shuffle play 8
- Sound adjusting 19
- Speakers 4
- Specifications 29
- Supplied accessories 29
- Tape player 14

- Timer
 - falling asleep to music 22
 - timer recording 23
 - waking up to music 22
- Troubleshooting guide 27
- Tuner 12