

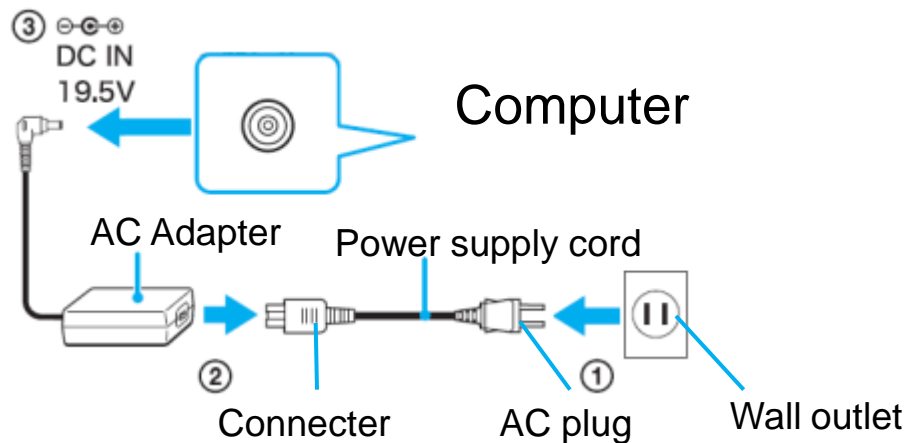
# Safety precautions

How to remove the AC adapter

1. Pull the AC plug out of the wall outlet
2. Pull the connector out of the AC adapter
3. Pull the DC plug out of the computer

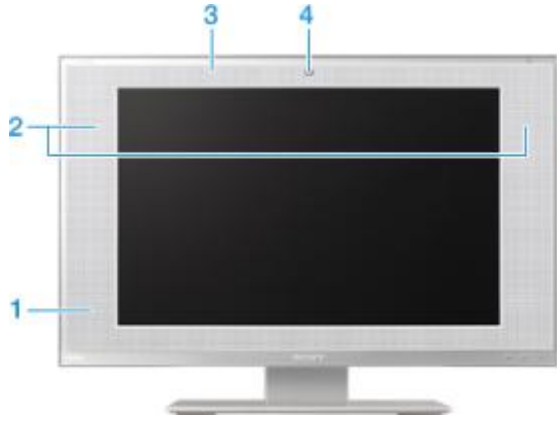
\* While the AC Adapter is still plugged, please take note of the following:

- Do not touch the metal parts of the computer.
- Do not touch the metal parts of the peripheral devices.
- Do not touch the bottom face and top face of the computer.

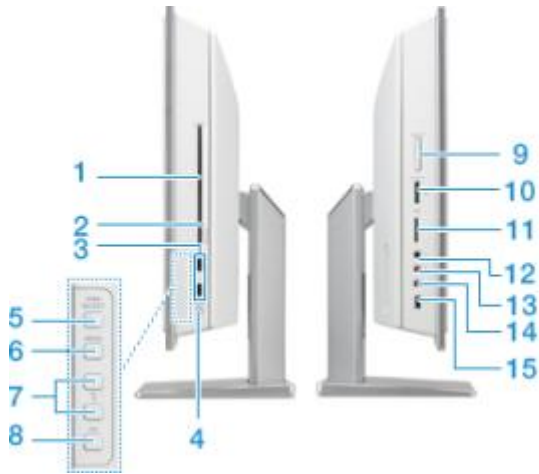


# VGC-LN series

  Please do not touch the metal parts



- 1.Remote sensor
- 2.Built-in speakers
- 3.Built-in microphone
- 4.Built-in camera

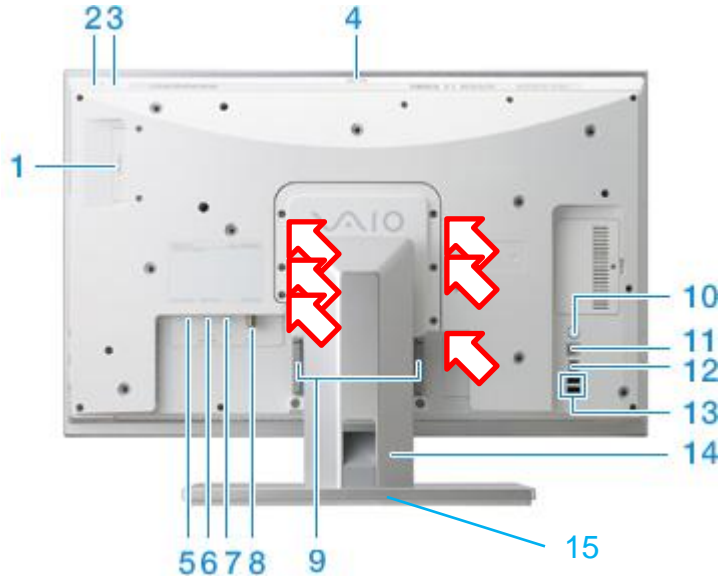


- 1.Optical disc drive
- 2.Drive eject button
- 3.USB ports
- 4.WIRELESS switch
- 5.HDMI select button
- 6.Menu button
- 7.Up/Down button
- 8.OK button

- 9.ExpressCard slot
- 10.Memory Stick slot
- 11.SD memory card slot
- 12.Headphones jack
- 13.Microphone jack
- 14.Line in jack
- 15.USB ports

# VGC-LN series

  Please do not touch the metal parts



※ without the back panel cover

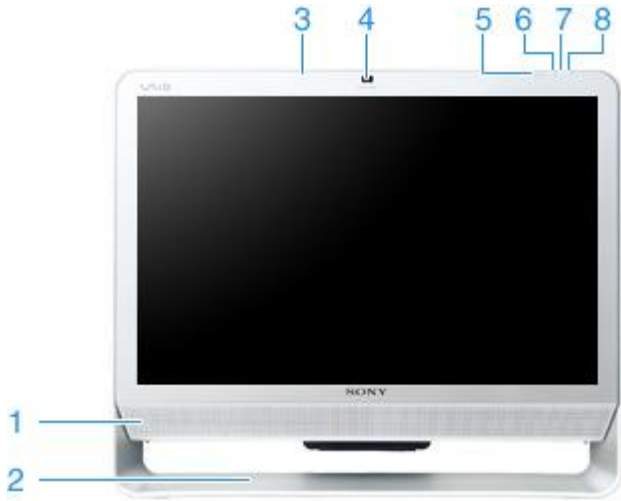


Screw

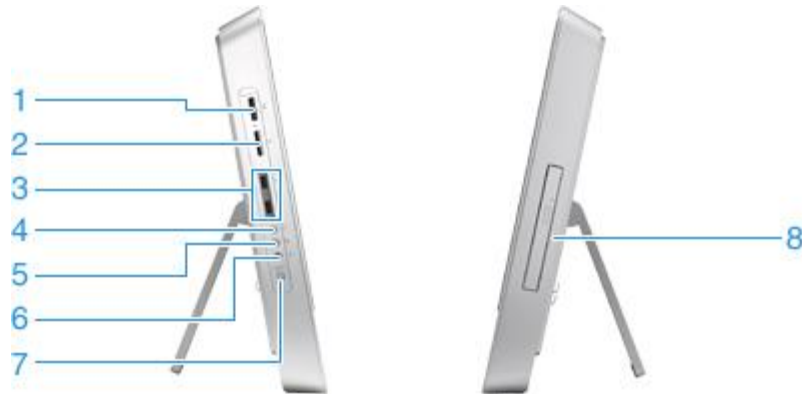
- 1.HDD Cover
- 2.Power button
- 3.DISPLAY OFF button
- 4.Camera angle adjuster
- 5.HDMI Input
- 6.DC IN port
- 7.Network(Ethernet) port
- 8.VHF/UHF input port
- 9.Cable clamps
- 10.CONNECT button
- 11.i.LINK port
- 12.Optical out port
- 13.USB ports
- 14.Base stand cover
- 15. stand

# VGC-JS series

  Do not touch the metal parts



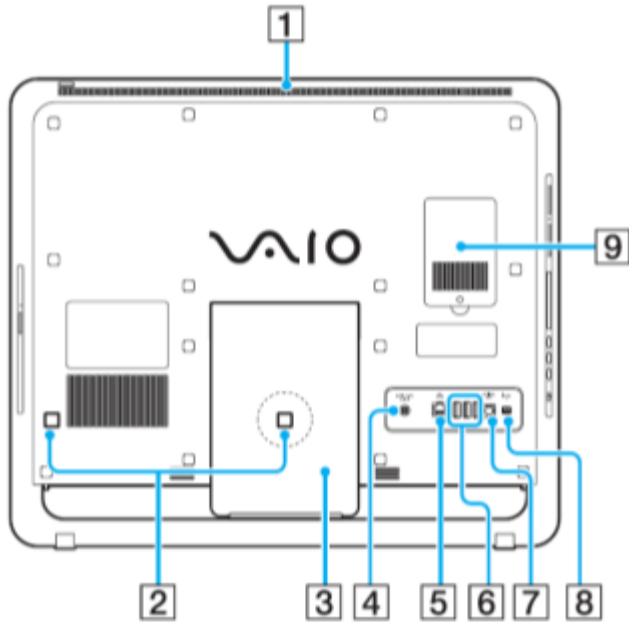
1. Built-in speakers
2. Botom chassis frame
3. Built-in microphone
4. Built-in camera
5. Wireless indicator
6. Disc drive indicator
7. Power button
8. Power indicator



1. Memory Stick slot
2. SD memory card slot
3. USB ports
4. Headphones jack
5. Microphones jack
6. Line in jack
7. Wireless switch
8. Optical disc drive

# VGC-JS series

  Do not touch the metal parts



- 1. Air vent
- 2. Cable clamps
- 3. Pop-up stand
- 4. DC IN port
- 5. Network (Ethernet) port
- 6. USB ports
- 7. OPTICAL OUT port
- 8. i.LINK port
- 9. Memory module compartment cover

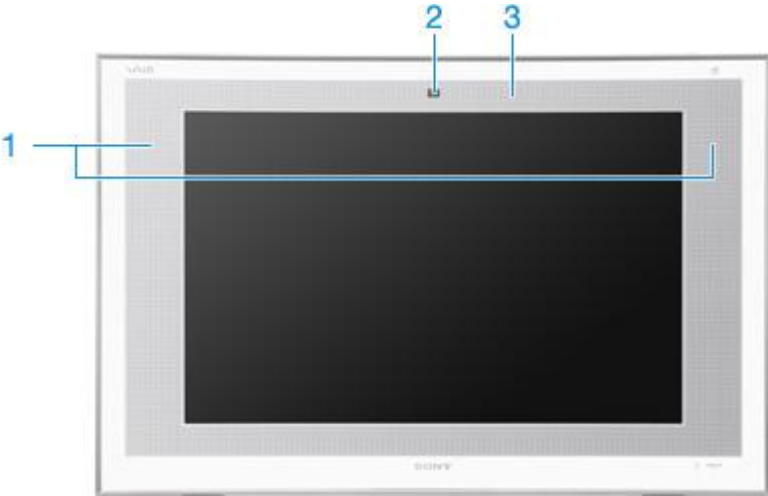
## USB KEYBOARD



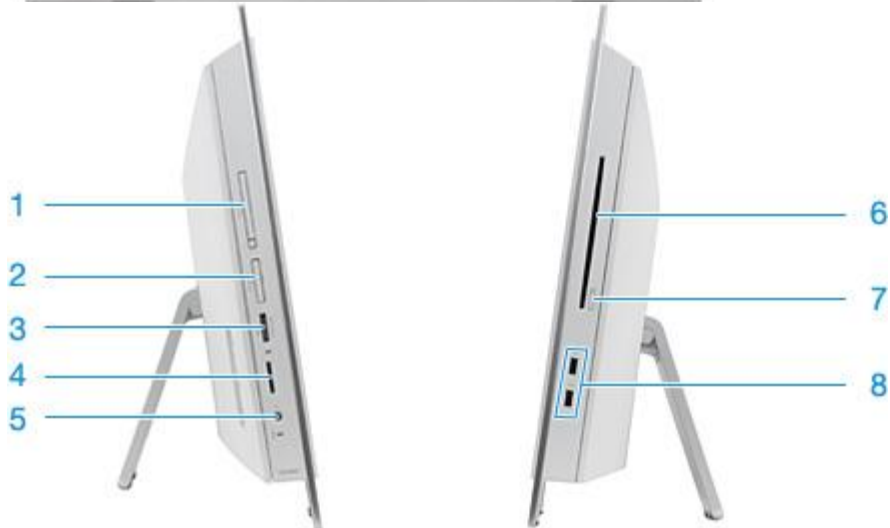
Screw

# VGC-LT series

  Do not touch the metal parts



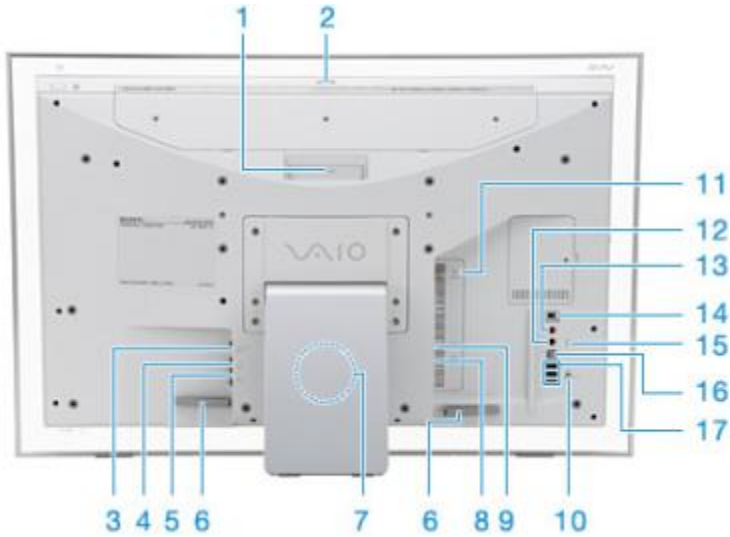
- 1. Built-in speakers
- 2. Built-in camera
- 3. Built-in microphone



- 1. PC card slot
- 2. ExpressCard slot
- 3. Memory Stick slot
- 4. SD memory card slot
- 5. Headphone jack
- 6. Optical disc drive
- 7. Optical disc eject button
- 8. USB ports

# VGC-LT series

  Do not touch the metal parts



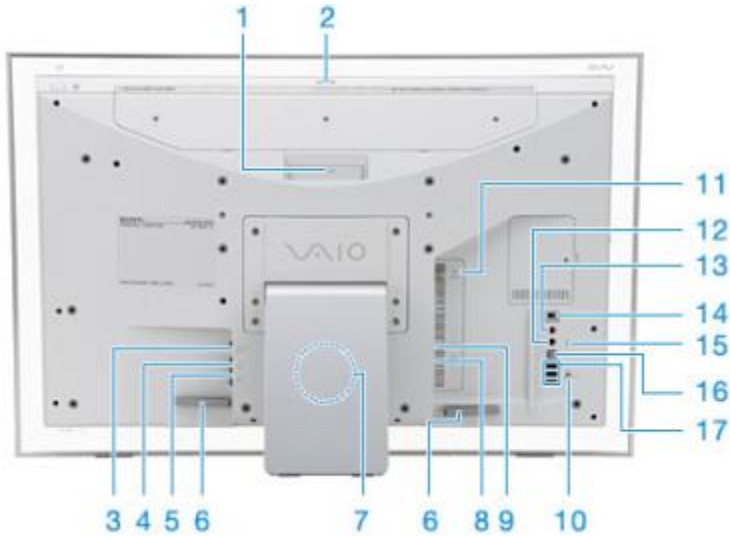
※ without the back panel cover



1. Plastic Cover
2. Capture angle adjuster
3. DC IN port
4. Modem port
5. Network (Ethernet) port
6. Cable clamps
7. Subwoofer speaker
8. S Video input port
9. AV input port
10. Wireless switch
11. VHF/UHF input port
12. Line in jack
13. Microphones jack
14. i.LINK port
15. Connect button
16. Optical output port
17. USB ports

# VGC-LM series

  Do not touch the metal parts



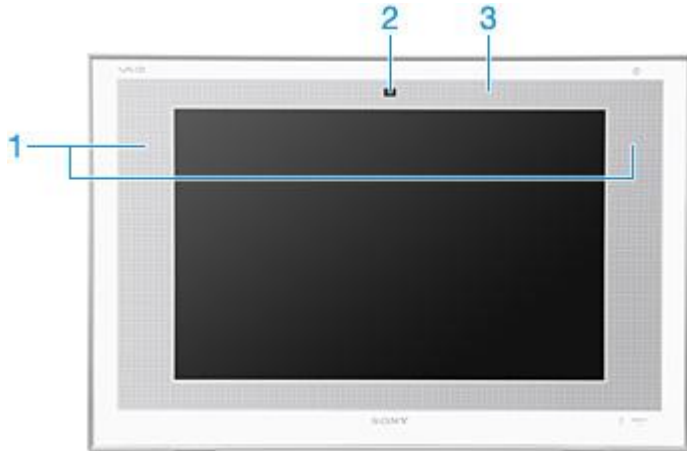
※ without the back panel cover

- 1. Plastic Cover
- 2. Capture angle adjuster
- 3. DC IN port
- 4. Modem port
- 5. Network (Ethernet) port
- 6. Cable clamps
- 7. Subwoofer speaker
- 8. S VIDEO input port
- 9. AV input jack
- 10. WLAN switch
- 11. VHF/UHF input port
- 12. Line in jack
- 13. Microphone jack
- 14. i.LINK port
- 15. CONNECT button
- 16. OPTICAL OUT port
- 17. USB ports

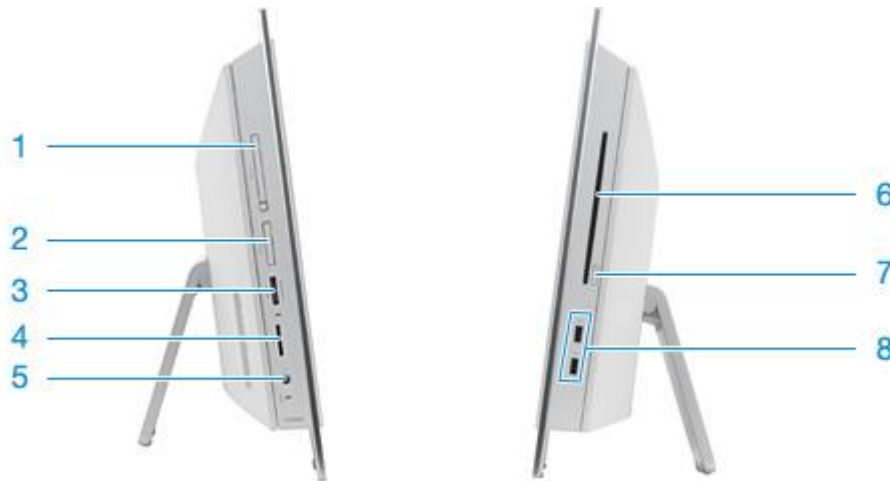


# VGC-LM series

  Do not touch the metal parts



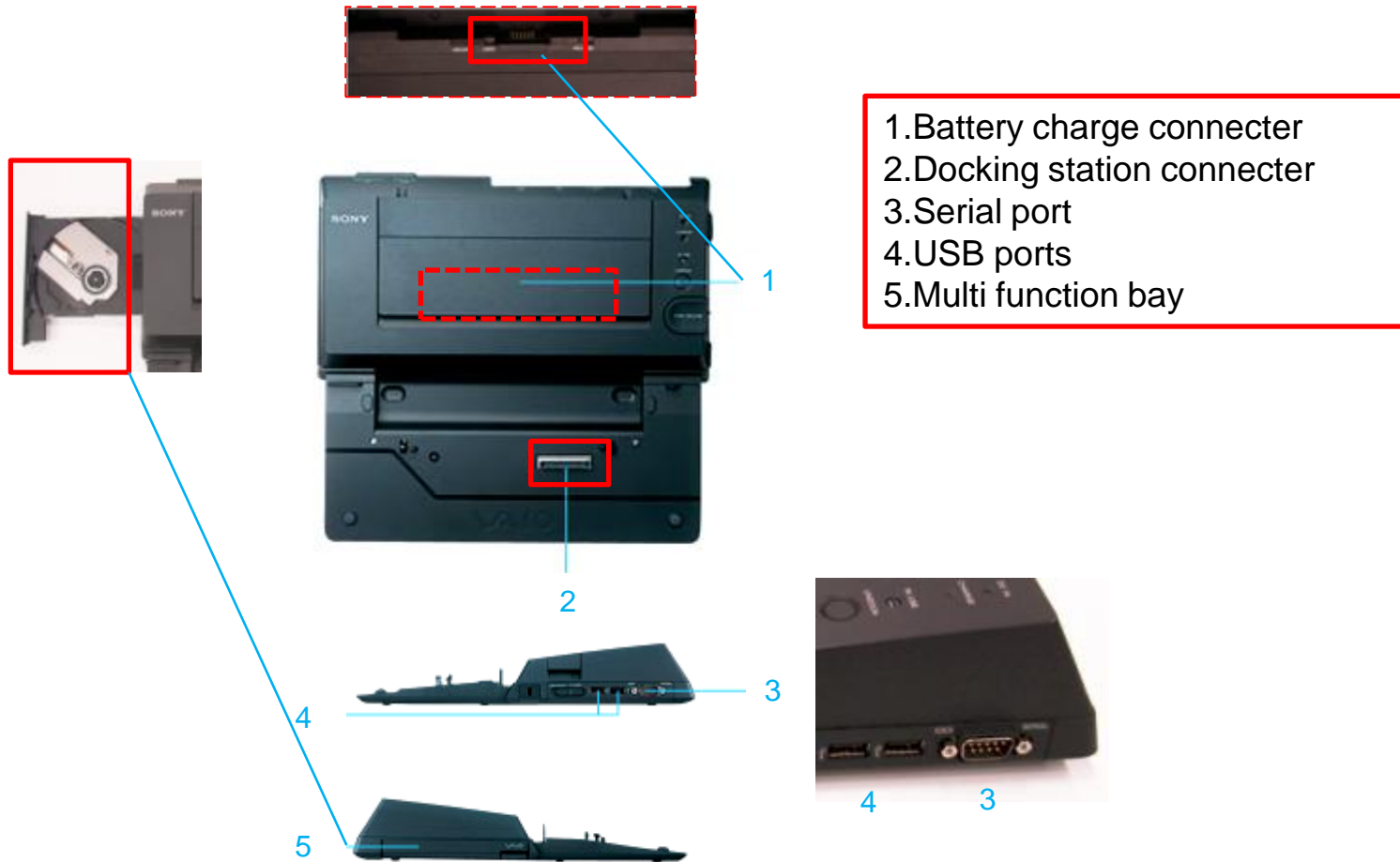
1. Built-in speakers
2. Built-in camera
3. Built-in microphone



1. PC Card slot
2. ExpressCard slot
3. Memory Stick slot
4. SD memory card slot
5. Headphones jack
6. Optical disc drive
7. Drive eject button
8. USB ports

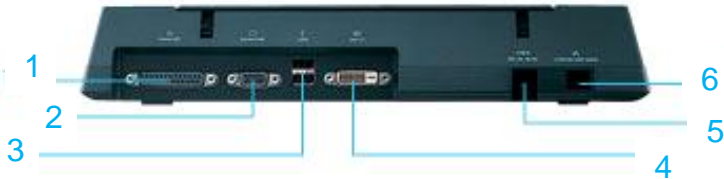
# VGP-PRBX1

 Do not touch the metal parts

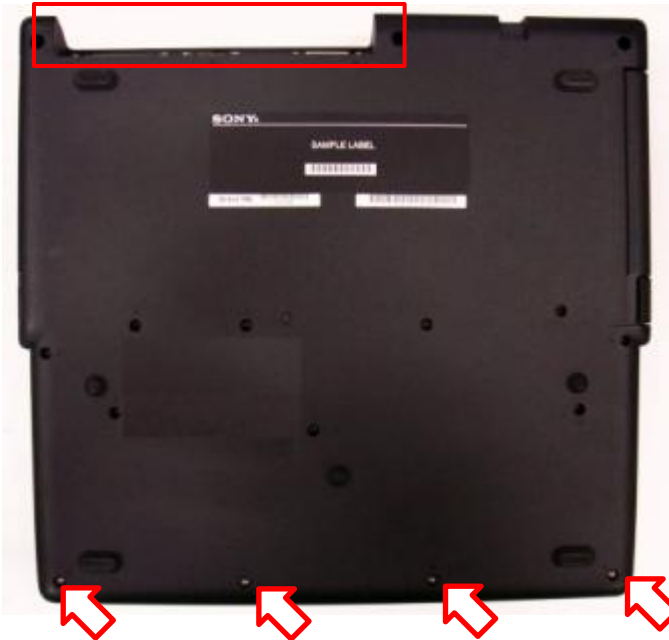


# VGP-PRBX1

 Do not touch the metal parts



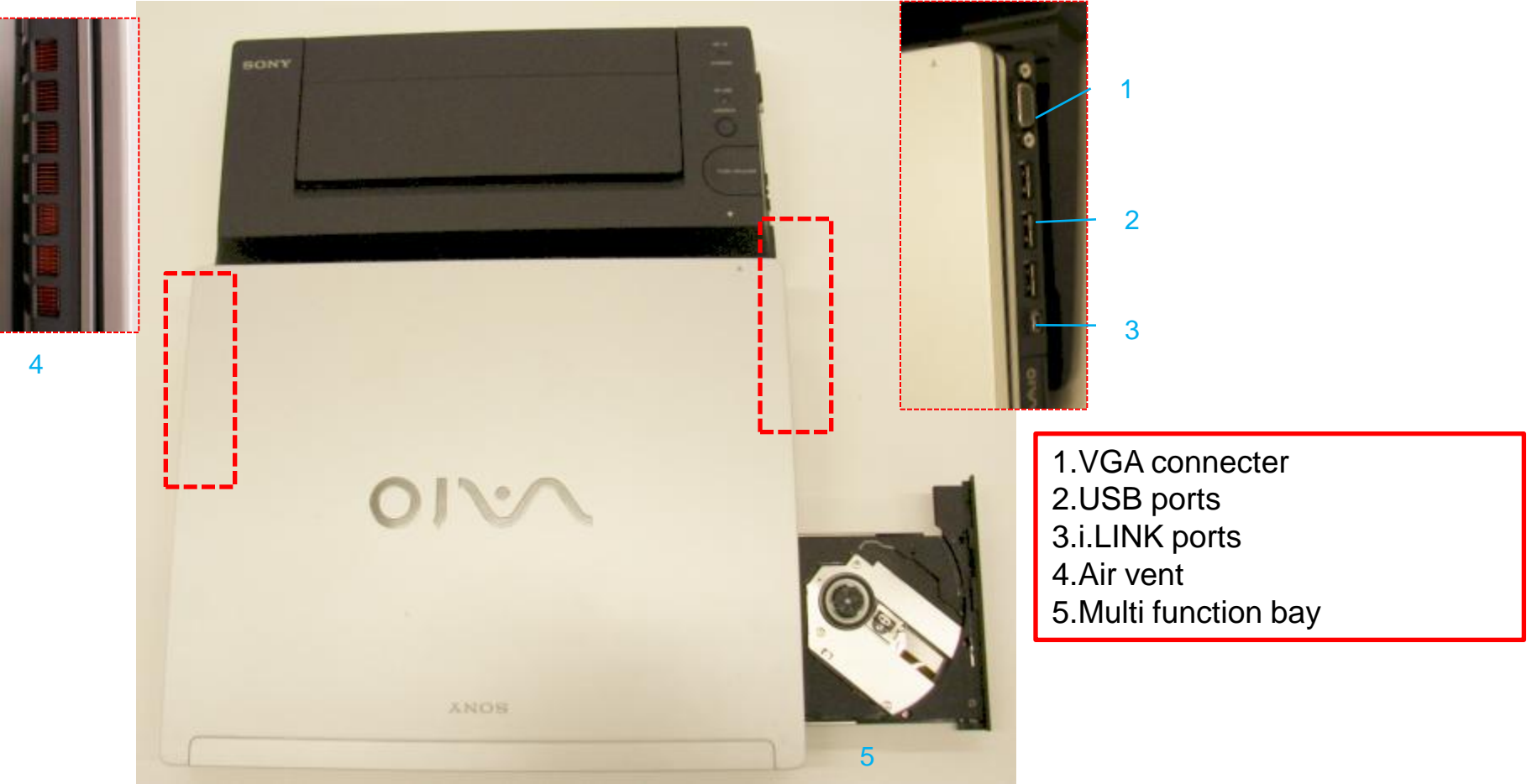
- 1. Printer port
- 2. VGA connector
- 3. USB ports
- 4. DVI connector
- 5. DC IN port
- 6. Network (Ethernet) Connector



 Screw

# VGP-PRBX1 + VGN-BX series

Do not touch the metal parts



# VGP- PRFE1

  Do not touch the metal parts



- 1.DC IN port
- 2.USB ports
- 3.DVI connector
- 4.VGA connector
- 5.Optical out
- 6.Line in jack
- 7.Video output
- 8.S Video output
- 9. Network(Ethernet) connector
- 10.Multi function bay
- 11.Docking station connector

# VGP-PRFE1

 Do not touch the metal parts



 Screw

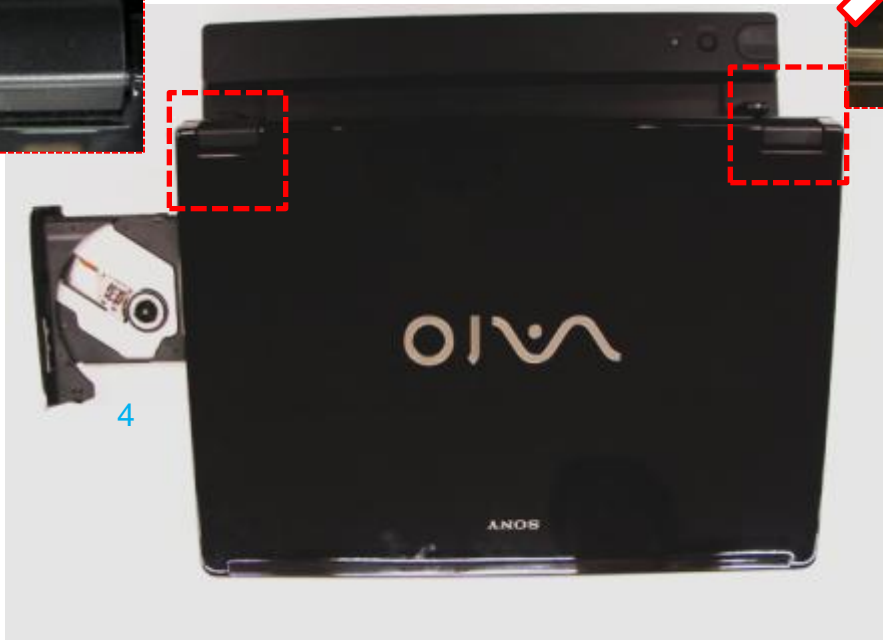
# VGP- PRFE1 + VGN-AR Series

  Do not touch the metal parts

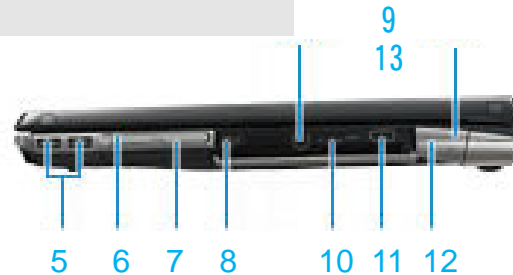
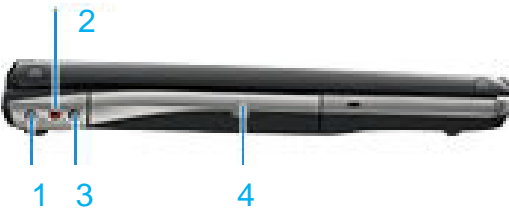
15 16



Screw



1. Optical output
2. Microphone jack
3. Headphone jack
4. Optical disc drive
5. USB ports
6. PC card slot
7. ExpressCard slot
8. i.LINK connector
9. S Video output
10. HDMI connector
11. VGA connector
12. Network (Ethernet) connector
13. Modem port
14. VHF/UHF input port
15. DC IN port
16. USB ports



# VGP- PRFE1 + VGN-AR Series



  Do not touch the metal parts

1. Built-in camera
2. Buil-in speakers
3. LCD screen LOCK/RELEASE switch
4. Built-in microphone
5. Memry Stick slot
6. SD memory card slot
7. WIRELESS switch

# VGP- PRFE1 + VGN-FE Series

  Do not touch the metal parts



- 1.PC card slot
- 2.ExpressCard slot
- 3.i.LINK port
- 4.USB ports
- 5.S Video out
- 6.Monitor(VGA) port
- 7. DC IN port
- 8.Modem port
- 9.Network (LAN) port
- 10.Optical disc drive



# VGP- PRFE1 + VGN-FE Series

Do not touch the metal parts



- 1.Web camera
2. LCD screen LOCK/RELEASE switch
- 3.Headphone jack
- 4.Microphone jack
- 5.Built-in microphone
6. WIRELESS switch
- 7.Memory Stick slot
- 8.Built-in speakers
- 9.Felica Reader (if applicable)